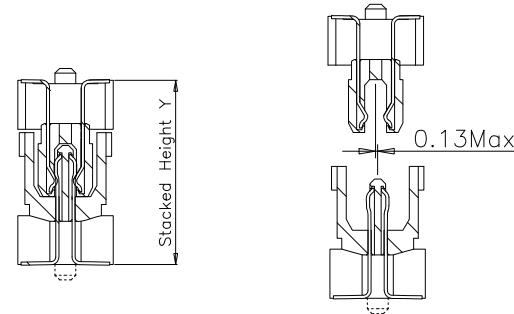
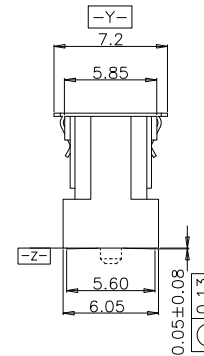
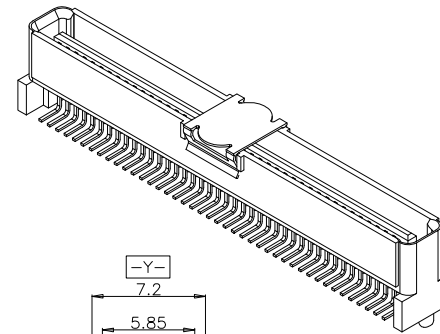


P.C.Board Layout



Material:

Housing: High Temperature Plastic UL94V-0.

Contacts: Phosphor Bronze.

Pad: Metal.

Electrical Characteristics:

Current Rating: 0.5 AMP.

Dielectric Withstanding Voltage: AC 500V For 1 minute.

Insulator Resistance: 100MΩ min. at DC 100V.

Contact Resistance: 40mΩ max. at DC 1mA.

Operating Temperature: -25°C~+85°C .

Position	14 Thru 100							
Dimension								
A	1.0*(No.of Positions/2)+3.9							
B	1.0*(No.of Positions/2)-1.0							
C	1.0*(No.of Positions/2)+0.3							
D	1.0*(No.of Positions/2)+2.58							
E	1.0*(No.of Positions/2)+2.4							
code:1~4 X	1	1	2	3	3	4	4	4
NP10-SxxxPC-xxx	5.37	5.37	7.37	8.37	8.37	10.37	10.37	10.37
code:1~3 X	1	2	1	1	2	1	2	3
NP10-PxxxPC-xxx	6.35	7.35	6.35	6.35	7.35	6.35	7.35	8.35
stacked height Y	8.0	9.0	10.0	11.0	12.0	13.0	14.0	15.0

RoHS Compliant



煜倫股份有限公司

www.morethanall.com

DRAWING BY CY

CHECKED BY GENIUS

UNIT/mm

SCALE 1:1

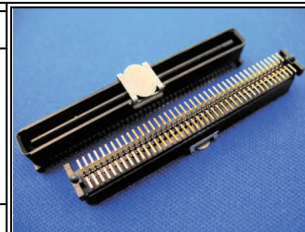
DATE

SIZE A4

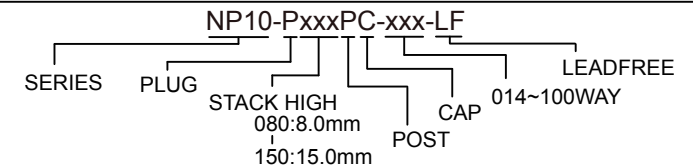
TOLERANCES ARE

X. ±
 .X ±
 .XX ±
 .XXX ±
 ANG ±

PJECTION



ORDER INFORMATION



DESCRIPTION: