

1 2 3 4 5 6 7 8 9 0

J

I

H

G

F

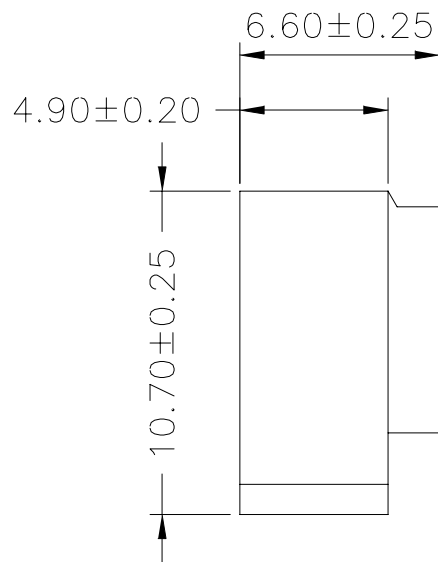
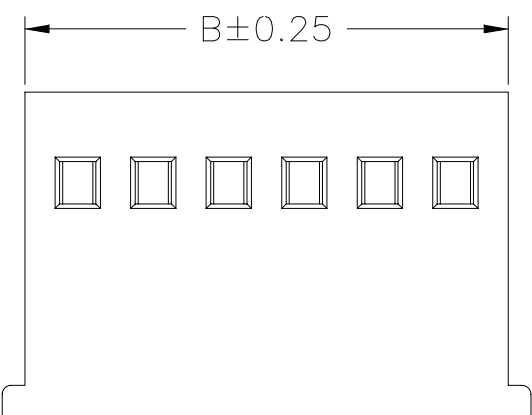
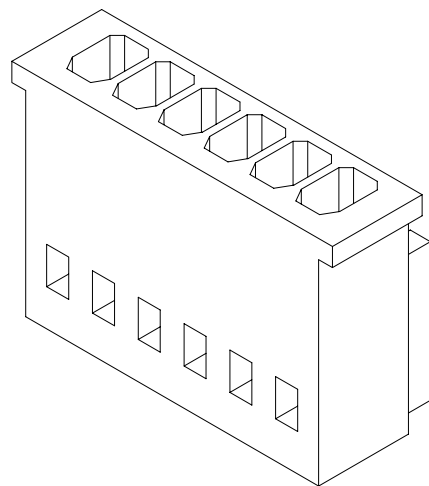
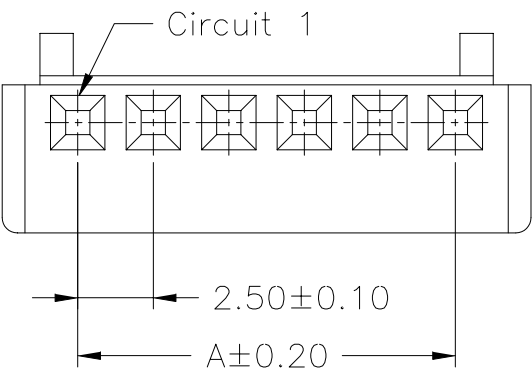
E

D

C

B

A



**SPECIFICATIONS**

Current Rating: 3A AC,DC  
 Voltage Rating: 250V AC,DC  
 Temperature Range: -25°C ~ +85°C  
 Contact Resistance: 20mΩ Max  
 Insulation Resistance: 1000MΩ Min  
 Withstanding Voltage: 1000V AC/minute  
 Material: Nylon 66,UL94V-0

**Ordering Information & Dimensions**

PART NO.	Dimensions	
	A	B
<b>MS-H-02</b>	2.50	6.00
<b>MS-H-03</b>	5.00	8.50
<b>MS-H-04</b>	7.50	11.00
<b>MS-H-05</b>	10.00	13.50
<b>MS-H-06</b>	12.50	16.00
<b>MS-H-07</b>	15.00	18.50
<b>MS-H-08</b>	17.50	21.00
<b>MS-H-09</b>	20.00	23.50
<b>MS-H-10</b>	22.50	26.00
<b>MS-H-11</b>	25.00	28.50
<b>MS-H-12</b>	27.50	31.00
<b>MS-H-13</b>	30.00	33.50
<b>MS-H-14</b>	32.50	36.00
<b>MS-H-15</b>	35.00	38.50
<b>MS-H-16</b>	37.50	41.00
<b>MS-H-17</b>	40.00	43.50
<b>MS-H-18</b>	42.50	46.00
<b>MS-H-19</b>	45.00	48.50
<b>MS-H-20</b>	47.50	51.00

**MORETHANALL**  
CONNECTORS  
ASSEMBLIES

煜倫有限公司

PART NO. **MS-H-xx**

DWG NO. **MS-H-xx**

FILE NO.

UNIT / mm

SCALE 1:1

CHECKED BY CY

DRAWING BY

PROJECTION

TOLERANCES ARE

.X ±  
.XX ±  
.XXX ±  
AWG

DESCRIPTION:

**2.50mm PITCH  
HOUSING-RECEPTACLE**

AREA

REVISIONS

HK

DATE