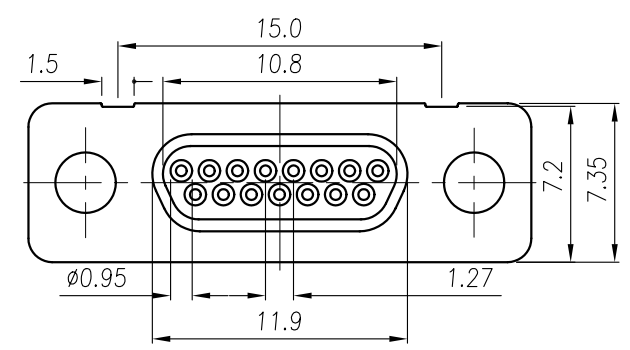
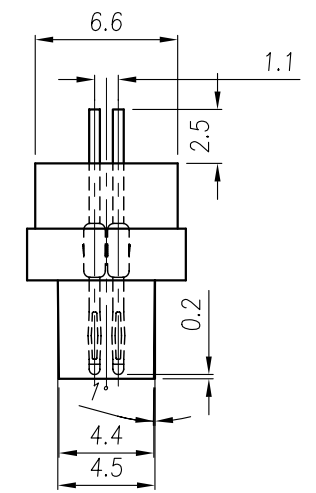
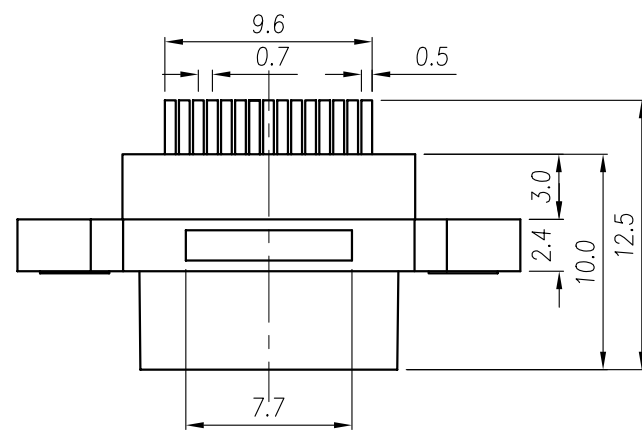
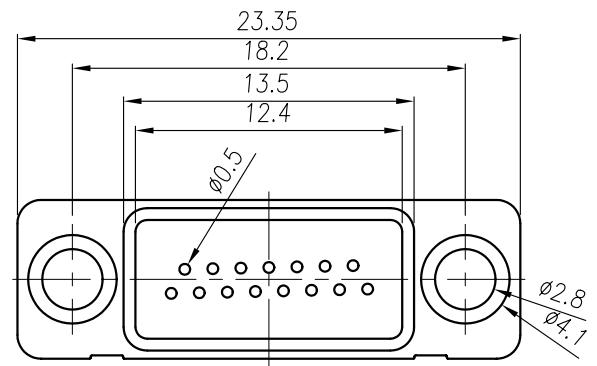


1 2 3 4 5 6 7 8 9 0

J
I
H
G
F
E
D
C
B
A



備註 /NOTE:

1 材質 /MATERIAL:

- 1-1 鐵殼/PLASTIC SHELL: 鋁鋅合金/ALLOY OF ALUMINUM AND ZINC
- 1-2 端子/TERMINAL: 鈹銅 /BERYLLIUM COPPER
- 1-3 環氧樹脂灌注型/EPOXY POTTING

2 電鍍 /PLATING:

- 1-1 鐵殼/PLASTIC SHELL: 鍍鎳60u"/NICKEL60u"
- 1-2 針/PIN: 鍍錫60u"/鍍金30u"/TIN60u" GOLD30u"



PART NO. MID-PS-15

DWG NO. MID-PS-15

CHECKED BY CY

TOLERANCES ARE

DESCRIP TION: MINI D-SUB 公座成品

煜倫有限公司

FILE NO.

DRAWING BY

.X ± 0.1
.XX ± 0.05
.XXX ±
AWG

AREA

REVISIONS

HK

DATE

UNIT / mm

SCALE 1:1

PROJECTION