

## SPECIFICATIONS

Current Rating: 5A AC, DC  
 Voltage Rating: 600V AC,DC  
 Operating Temp.: -25°C ~ +85°C  
 Insulation Resistance: 1000MΩ/ min.  
 Dielectric Withstanding Voltage: 1500V AC/ min.  
 Contact Resistance: 10mΩ/ max.

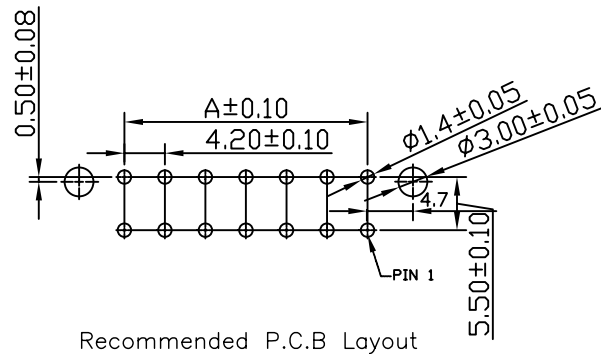
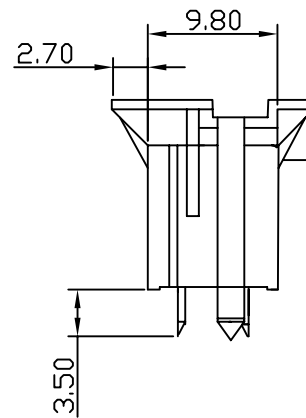
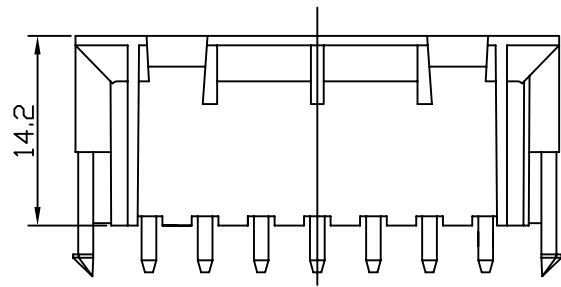
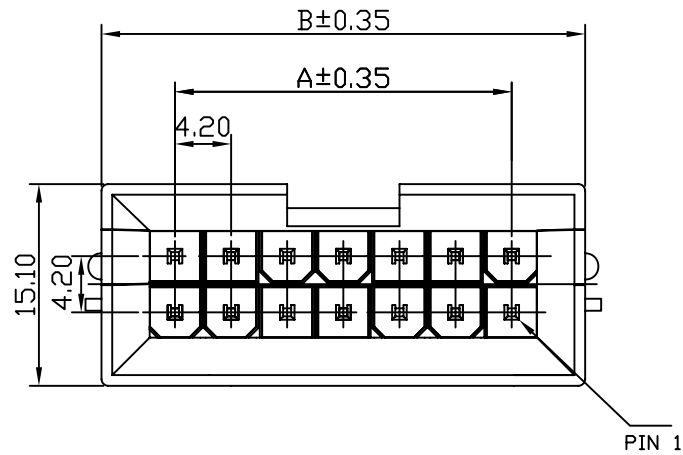
### Material

Terminal Material: Brass/Tin-Plated  
 Material: Nylon 66, UL94V-0

Poles	Dimension mm		Part No.
	A	B	
4	4.20	15.50	MFB-PDP-2X02
6	8.40	19.70	MFB-PDP-2X03
8	12.60	23.90	MFB-PDP-2X04
10	16.80	28.10	MFB-PDP-2X05
12	21.00	32.30	MFB-PDP-2X06
14	25.20	36.50	MFB-PDP-2X07
16	29.40	40.70	MFB-PDP-2X08
18	33.60	44.90	MFB-PDP-2X09
20	37.80	49.10	MFB-PDP-2X10
22	42.00	53.30	MFB-PDP-2X11
24	46.20	57.50	MFB-PDP-2X12

MFB-PDP-2Xxx-LF  
 LEADFREE  
 2X02:04/WAY  
 2X12:24/WAY

RoHS Compliant



**MORETHANALL**  
 CONNECTORS  
 ASSEMBLIES

PART NO. MFB-PDP-2Xxx

DWG NO. MFB-PDP-2Xxx

FILE NO.

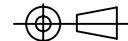
UNIT / mm

SCALE 1:1

CHECKED BY CY

DRAWING BY

PROJECTION



TOLERANCES ARE

.X ± 0.2  
 .XX ±  
 .XXX ±  
 AWG

DESCRIP TION:

4.2mm Wire-to-Board Header  
 DIP 180° Type(BMI)

AREA

REVISIONS

HK

DATE

焯倫股份有限公司