

1 2 3 4 5 6 7 8 9 0

J
I
H
G
F
E
D
C
B
A

NOTES

*Material

Housing: LCP, UL 94V-0 Rated, Color:Black.
Contact: Brass
Plating: Gold Plating Over Nickel on Contact Area; Tin Plating on Solder Tail.

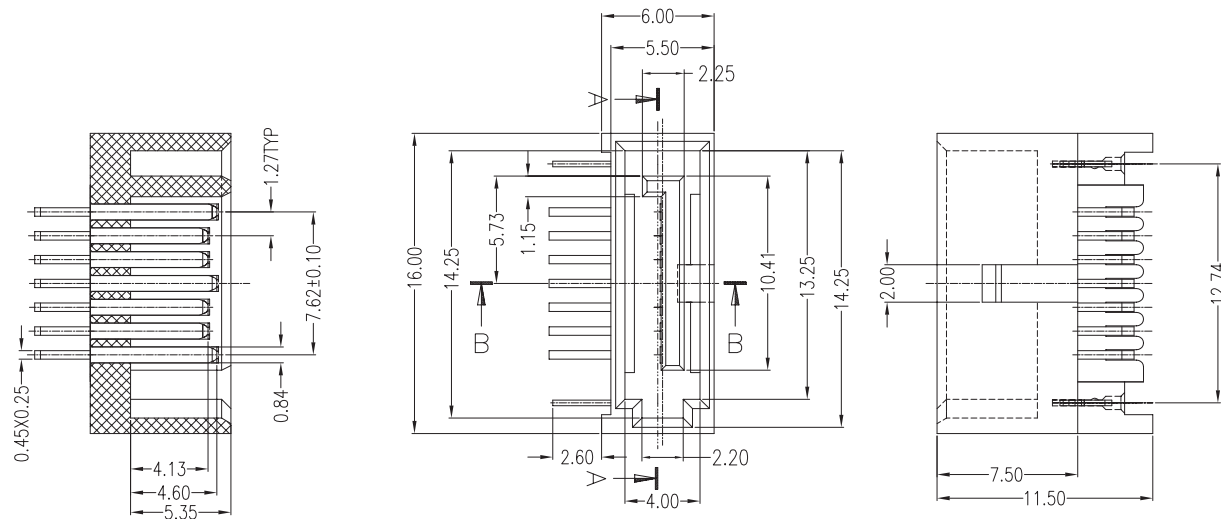
*Electrical Specification

Operation Voltage: 100 VAC Max.
Current Rating: 1.5 Ampere Per Contact.
Contact Resistance: 30 Milliohms Max.
Insulation Resistance: 1000 Megohms Min.
Dielectric Withstanding Voltage: 500 VAC.

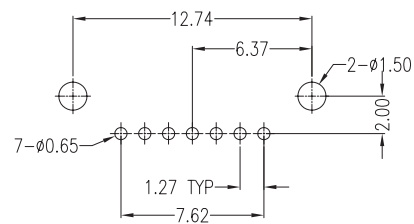
*Environmental

Operating Temperature: -55°C to +125°C

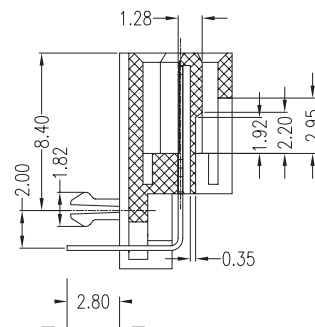
SATA-PRAC60-07-LF
LEADFREE
RoHS Compliant



SECT A-A



P.C.B. Layout



SECT B-B



PART NO. SATA-PRAC60-07		CHECKED BY CY		TOLERANCES ARE .X±0.2 .XX± .XXX± AWG		DESCRIPTION: Serial ATA 7 Pins DIP 90° Shield Type Male	
DWG NO. SATA-PRAC60-07		DRAWING BY					
FILE NO.		PROJECTION		AREA	REVISIONS	HK	DATE
UNIT / mm		SCALE 1:1					

煜倫股份有限公司