

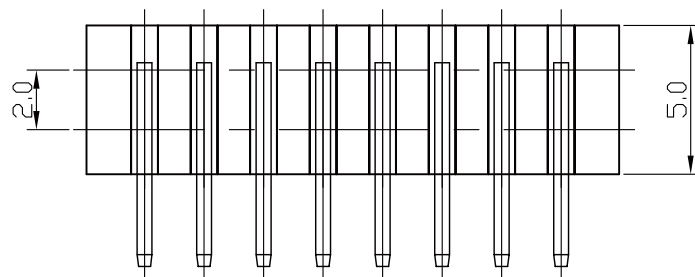
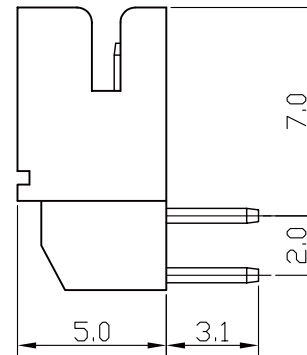
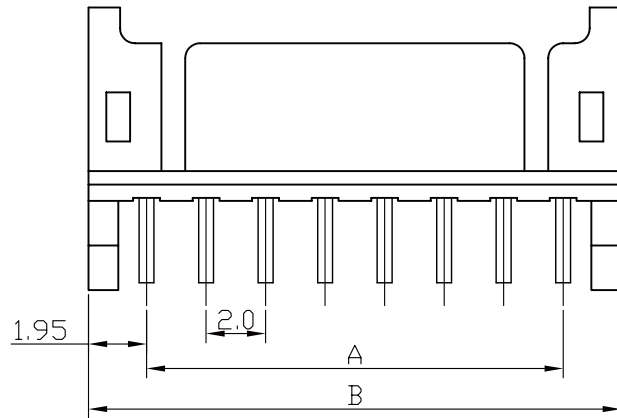
## SPECIFICATIONS

### Electrical

Current Rating: 3A AC DC  
 Voltage Rating: 250V AC, DC  
 Operating Temp.: -25°C ~ +85°C  
 Contact Resistance: 20mΩ / Max.  
 Insulation Resistance: 1000MΩ / Min.

### Material

Terminal Material: Brass/ Gold-plated  
 Material: Nylon 66, UL 94V-0



Poles	Dimension mm (in.)		Part No
	A	B	
6	4.0(0.157)	7.9(0.311)	PHD-RG-06
8	6.0(0.236)	9.9(0.390)	PHD-RG-08
10	8.0(0.315)	11.9(0.469)	PHD-RG-10
12	10.0(0.394)	13.9(0.547)	PHD-RG-12
14	12.0(0.472)	15.9(0.626)	PHD-RG-14
16	14.0(0.551)	17.9(0.705)	PHD-RG-16
18	16.0(0.630)	19.9(0.783)	PHD-RG-18
20	18.0(0.709)	21.9(0.862)	PHD-RG-20
22	20.0(0.787)	23.9(0.941)	PHD-RG-22
24	22.0(0.886)	25.9(1.020)	PHD-RG-24
26	24.0(0.945)	27.9(1.098)	PHD-RG-26
28	26.0(1.024)	29.9(1.177)	PHD-RG-28
30	28.0(1.102)	31.9(1.256)	PHD-RG-30
32	30.0(1.181)	33.9(1.335)	PHD-RG-32

**RoHS Compliant**

TOLERANCES ARE

**MORETHANALL**  
 PCB CONNECTORS  
 Cable ASSEMBLIES

煜倫股份有限公司

www.morethanall.com

DRAWING BY CY

CHECKED BY GENIUS

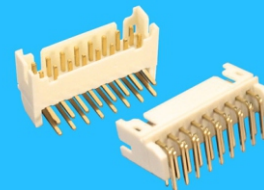
UNIT/ mm SCALE 1:1

DATE

SIZE A4

PJECTION

X. ±  
 .X ±  
 .XX ±  
 .XXX ±  
 ANG ±



**ORDER INFORMATION**

PHD-RG-xx-LF  
 SERIES | LEADFREE  
 | 06~32 WAY  
 | GOLD/PLATE  
 | DIP 90°

DESCRIPTION: 2.0mm Wire-to-Board Header 90° Dual Row Type