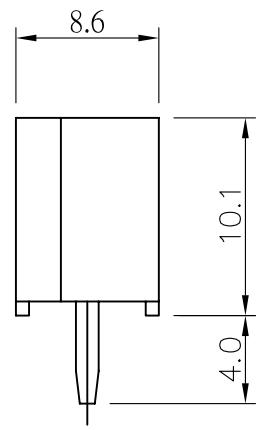
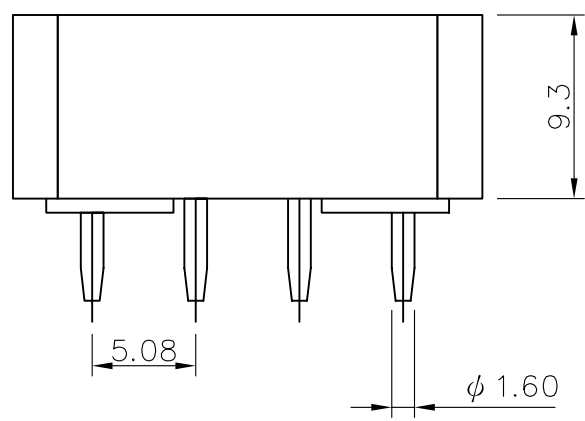
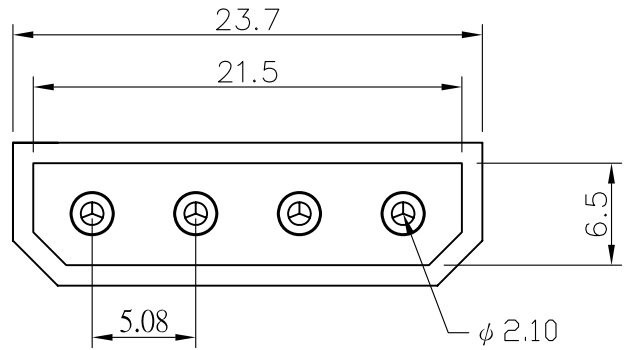
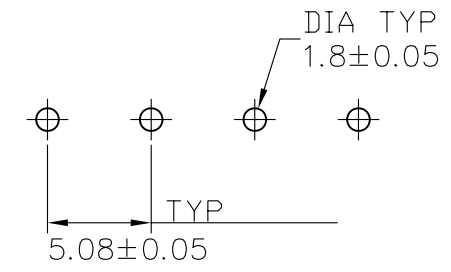


- * Material : Nylon66, UL 94V-2
- * Current rating : 5A, AC/DC
- * Voltage rating : 250V AC/DC
- * Finish : Tin-plated
- * Operating Temp : -25°C ~ +85°C
- * Contact resistance : 10mΩ Max.
- * Insulation resistance : 1000MΩ Min.
- * Withstanding Voltage : 1500V AC/minute



DP-PDX-04-LF
LEADFREE
RoHS Compliant



RECOMMENDED PCB LAYOUT



PART NO. DP-PDX-04

DWG NO. DP-PDX-04

FILE NO.

CHECKED BY CY

DRAWING BY

TOLERANCES ARE
.X ± 0.2
.XX ±
.XXX ±
AWG

DESCRIPTION:

5.08mm Wire-to-Board Header
DIP 180° Type

煜倫股份有限公司

UNIT / mm

SCALE 1:1

PROJECTION

AREA

REVISIONS

HK

DATE