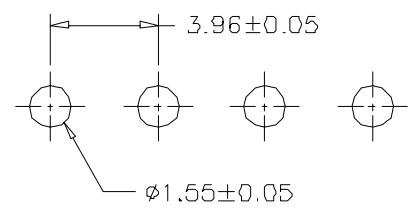
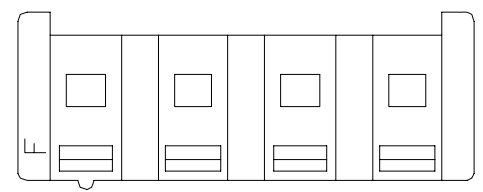
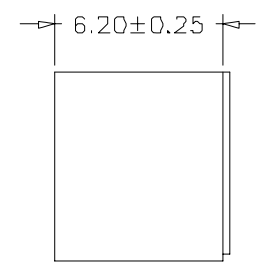
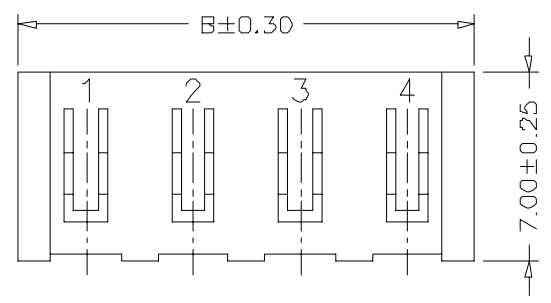
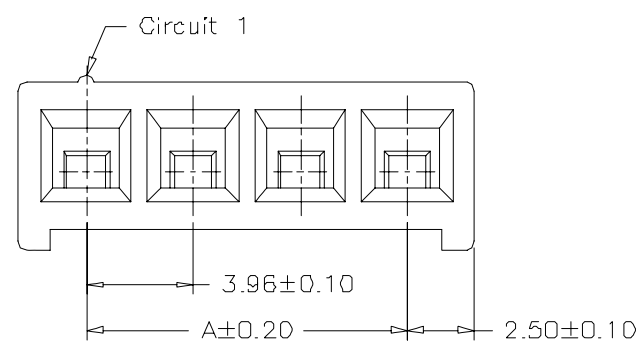
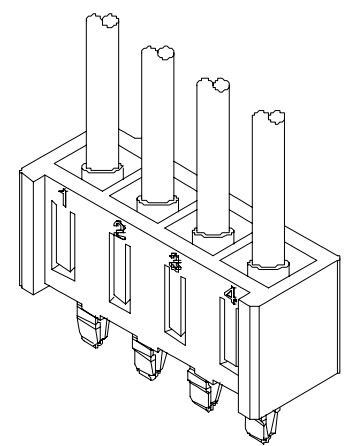


SPECIFICATIONS
 Current Rating: 7A AC,DC
 Voltage Rating: 250V AC,DC
 Temperature Range: -25°C ~ +85°C
 Contact Resistance: 10mΩ Max
 Insulation Resistance: 1000MΩ Min
 Withstanding Voltage: 1500V AC/minute
 Material: Nylon 66,UL94V-0
 Color: Natural(White)



P.C.B LAYOUT

SDN-H-xx-LF
 LEADFREE

Ordering Information & Dimensions

PART NO.	Dimensions	
	A	B
SDN-H-02	3.96	8.96
SDN-H-03	7.92	12.92
SDN-H-04	11.88	16.88
SDN-H-05	15.84	20.84
SDN-H-06	19.80	24.80
SDN-H-07	23.76	28.76
SDN-H-08	27.72	32.72
SDN-H-09	31.68	36.68
SDN-H-10	35.64	40.64
SDN-H-11	39.60	44.60
SDN-H-12	43.56	48.56
SDN-H-13	47.52	52.52
SDN-H-14	51.48	56.48
SDN-H-15	55.44	60.44

RoHS Compliant



PART NO. SDN-H-xx	
DWG NO. SDN-H-xx	
FILE NO.	
UNIT / mm	SCALE 1:1

CHECKED BY CY	DRAWING BY
PROJECTION	

TOLERANCES ARE
.X±0.2
.XX±
.XXX±
AWG

DESCRIP TION:	3.96mm 180° Housing without polarizing boss			
AREA	REVISIONS	HK	DATE	

煜倫股份有限公司