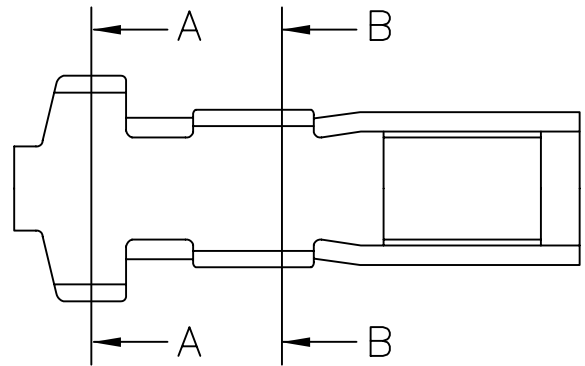
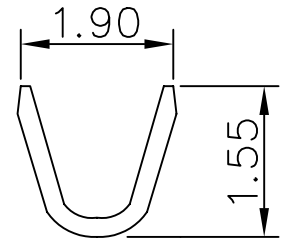
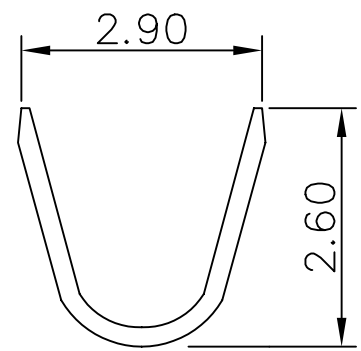
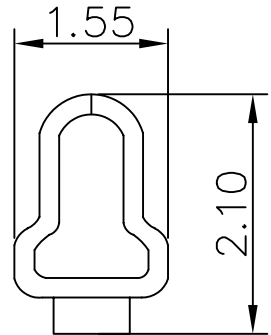
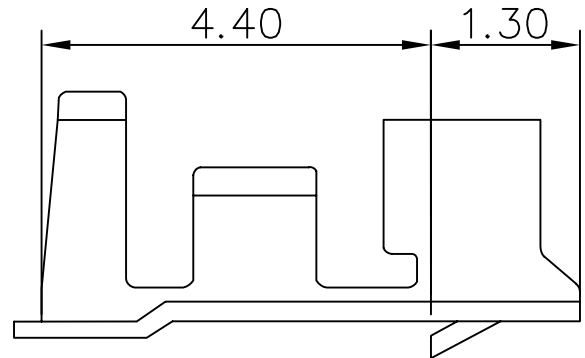


1 2 3 4 5 6 7 8 9 0

J
I
H
G
F
E
D
C
B
A



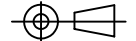
Material: Phosphor bronze
 Current rating: 1A, AC/DC
 Voltage rating: 125V, AC/DC
 Applicable wire AWG#30-22



MORETHANALL
 CONNECTORS
 ASSEMBLIES

煜倫股份有限公司

PART NO. EH-T-22	
DWG NO. EH-T-22	
FILE NO.	
UNIT / mm	SCALE 1:1

CHECKED BY CY	DRAWING BY
PROJECTION 	

TOLERANCES ARE
 .X ± 0.2
 .XX ±
 .XXX ±
 AWG

DESCRIP TION:				
AREA	REVISIONS	HK	DATE	