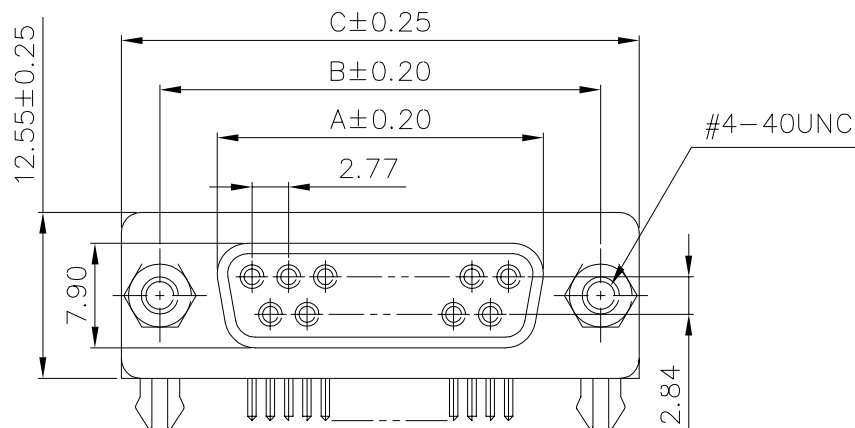


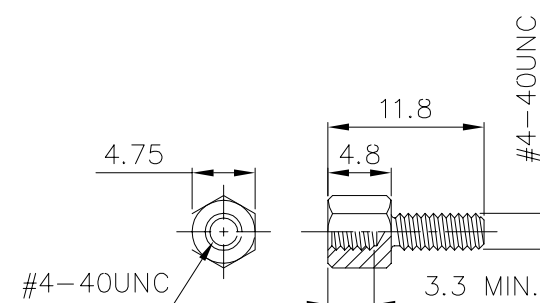
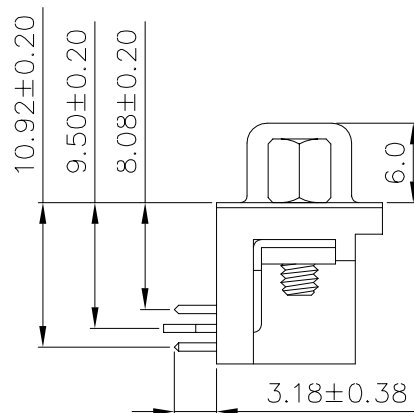
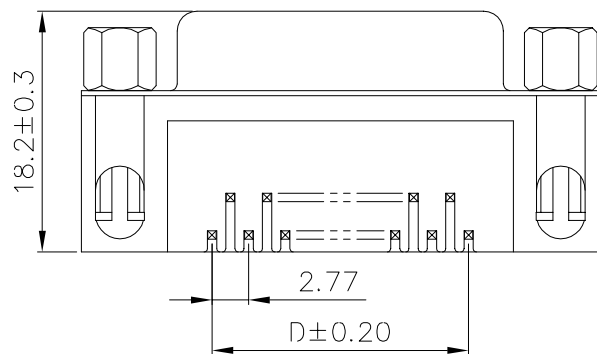
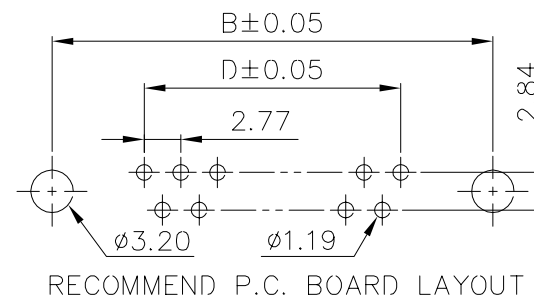
Material:
 Insulator: PBT+30% Glass Fiber (UL94V-0).
 Contact: Copper Alloy.
 Contact Plated: Gold or Tin over Nickel Plated.
 Shell: Steel with Nickel or Tin or Zinc Plated.

Specification:
 Current Rating: 5 Amps.
 Withstanding Voltage: AC 500V for 1 Minute.
 Insulation Resistance: 1000MΩ Min. at DC 500V.
 Contact Resistance: 15mΩ Max..
 Operating Temperature: -40°C ~ +105°C.



DR-SGNJ-xx-LF
LEADFREE

RoHS Compliant



LOCKING SCREW

Pos.	Dim. A	Dim. B	Dim. C	Dim. D
9	16.33	24.99	30.81	11.08
15	24.66	33.32	39.14	19.39
25	38.38	47.04	53.04	33.24
37	54.84	63.50	69.32	49.86



PART NO. **DR-SGNJ-xx**

DWG NO. **DR-SGNJ-xx**

FILE NO.

UNIT / mm

SCALE 1:1

CHECKED BY CY

DRAWING BY

PROJECTION



TOLERANCES ARE

.X ± 0.2
 .XX ±
 .XXX ±
 AWG

DESCRIPTION:

D-Sub Female Right Angle
 Connector Footprint 8.08mm
 Clinch Nut/Screw Lock Type

AREA

REVISIONS

HK

DATE

焯倫股份有限公司