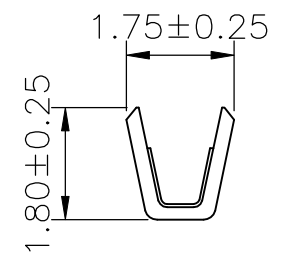
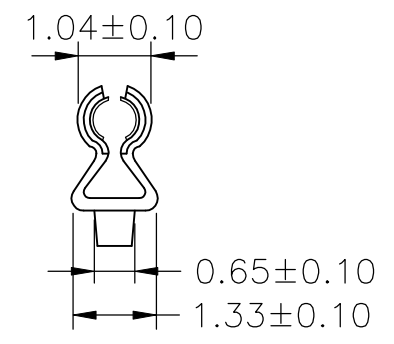


SEC:A-A



SEC:B-B



SEC:C-C

Ordering Information & Specifications

Part No	Wire Range	Insulation O.D.	Material	Finish	Qty/reel
MW-T-22	AWG#22-#28	1.90mm(max)	Phosphor Bronze	Tin-plated	10,000pcs



PART NO. **MW-T-22**

DWG NO. **MW-T-22**

CHECKED BY CY

TOLERANCES ARE

DESCRIPTION: **2.50mm PITCH CRIMP TERMINAL**

FILE NO.

DRAWING BY

.X ± 0.2
.XX ±
.XXX ±
AWG

AREA	REVISIONS	HK	DATE

煜倫股份有限公司

UNIT / mm SCALE 1:1

PROJECTION