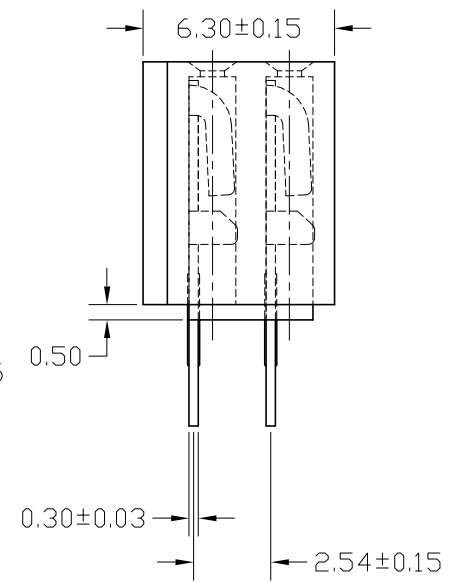
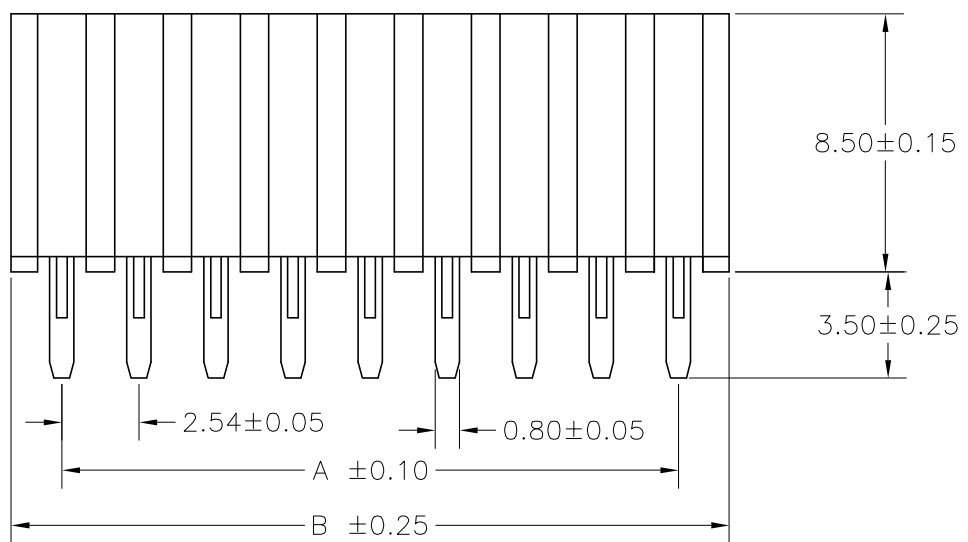
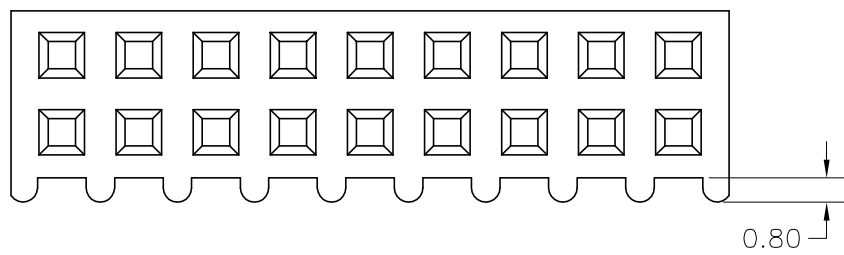


1 2 3 4 5 6 7 8 9 0

No. of Contacts	DIMENSIONS	
	A	B
6	5.08	8.42
8	7.62	10.96
10	10.16	13.50
12	12.70	16.04
14	15.24	18.58
16	17.78	21.12
18	20.32	23.66
20	22.86	26.20
22	25.40	28.74
24	27.94	31.28
26	30.48	33.82
28	33.02	36.36
30	35.56	38.90
32	38.10	41.44
34	40.64	43.98
36	43.18	46.52
38	45.72	49.06
40	48.26	51.60
42	50.80	54.14
44	53.34	56.68
46	55.88	59.22
48	58.42	61.76
50	60.96	64.30
52	63.50	66.84
54	66.04	69.38
56	68.58	71.92
58	71.12	74.46
60	73.66	77.00
62	76.20	79.54
64	78.74	82.08
66	81.28	84.62
68	83.82	87.16
70	86.36	89.70
72	88.90	92.24
74	91.44	94.78
76	93.98	97.32
78	96.52	99.86
80	99.06	101.50



**SPECIFICATIONS**

Current Rating: 3 Amps  
 Insulator resistance: 5000 Megohms min.  
 Contact resistance: 20 m ohms max.  
 Dielectric withstanding: AC 500 V  
 Operating Temperature: -40~+105°C  
 Contact Material: Phosphor bronze  
 Insulator Material: Polyester, UL 94V-0  
 ◎Standard: P.B.T  
 Finish: Tin, Gold or Duplex plated  
 ◎Standard: Gold flash all over  
 ◎Note: Duplex plating: gold plated on contact area, Tin on solder area



PART NO. **F-D85W-2Xxx**

DWG NO. **F-D85W-2Xxx**

CHECKED BY CY

TOLERANCES ARE

DESCRIP TION:

FILE NO.

DRAWING BY

.X ± 0.2  
.XX ±  
.XXX ±  
AWG

AREA	REVISIONS	HK	DATE
------	-----------	----	------

UNIT / mm

SCALE 1:1

PROJECTION

煜倫股份有限公司