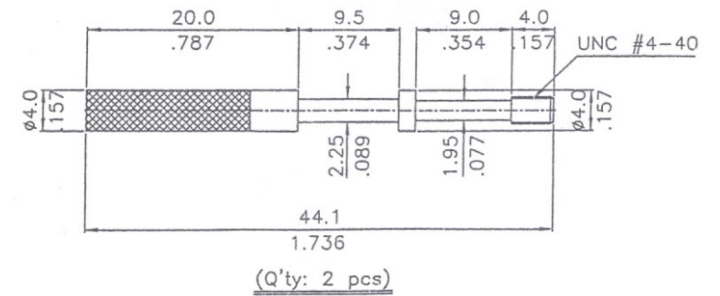
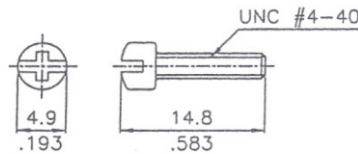
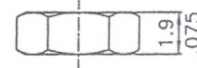
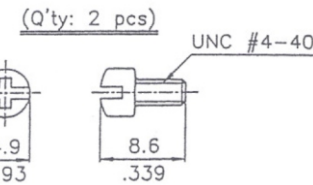


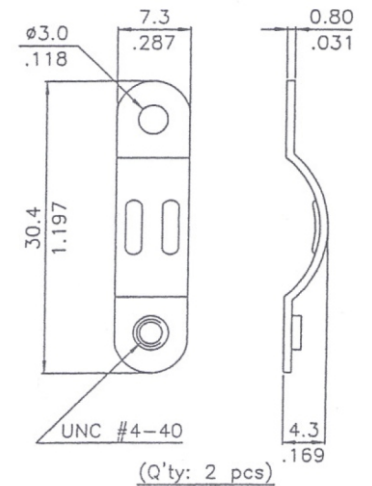
Material:
 Insulator: ABS, UL94HB
 Package: 1 Kit/Bag



(Q'ty: 2 pcs)
 UNC #4-40



(Q'ty: 2 pcs)



(Q'ty: 2 pcs)

RoHS Compliant

TOLERANCES ARE

MORETHANALL
 PCB CONNECTORS
 Cable ASSEMBLIES

煜倫股份有限公司

www.morethanall.com

DRAWING BY CY

CHECKED BY GENIUS

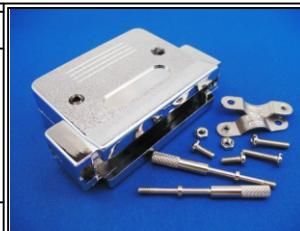
UNIT / mm SCALE 1 : 1

DATE

SIZE A4

X, ±
 X, ±
 .XX ±
 .XXX ±
 ANG ±

PJECTION



ORDER INFORMATION

DHL-x1T-37-LF
 SERIES | 37 WAY LEADFREE
 THUMBSCREW
 SINGLE PACKING
 K:BLACK
 G:GRAY
 C:METALIZED

DESCRIPTION: