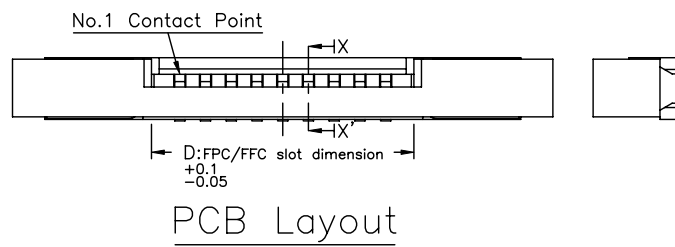


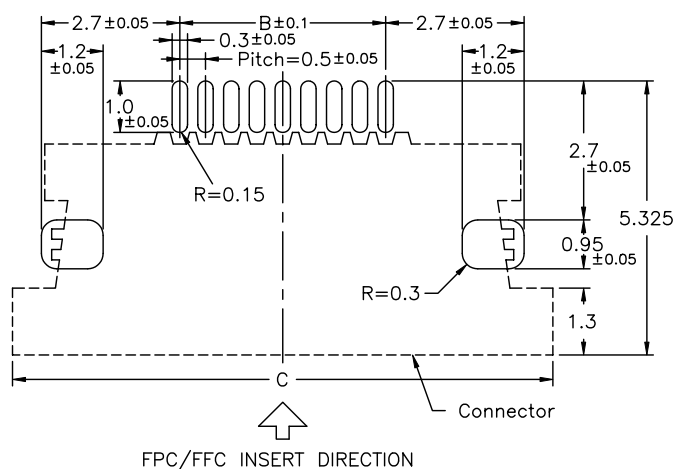
NOTE:
 1.MATERIAL:
 HOUSING:THERMOPLASTIC
 SLIDER:THERMOPLASTIC
 CONTACTS:COPPER ALLOY
 SOLDER PAD:COPPER ALLOY
 2.PLATING:
 CONTACTS:SEE ORDERING INFORMATION
 SOLDER PAD:SEE ORDERING INFORMATION
 3.RATING:
 OPERATING VOLTAGE:50V
 CURRENT RATING:0.4A
 OPERATING TEMPERATURE:-55°C ~ +85°C

FPV-WZA12R-xx-LF
 LEADFREE
 RoHS Compliant

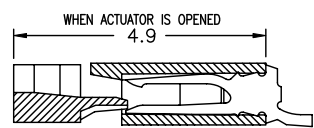
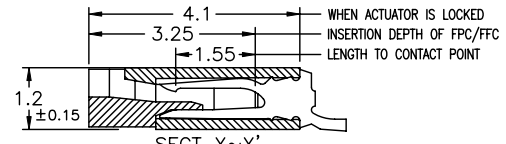
No.of Contacts	Part Number	DIM. A	DIM. B	DIM. C	DIM. D
4	FPV-WZA12R-04	6.75	1.5	8	2.6
5	FPV-WZA12R-05	7.25	2	8.5	3.1
6	FPV-WZA12R-06	7.75	2.5	9	3.6
7	FPV-WZA12R-07	8.25	3	9.5	4.1
8	FPV-WZA12R-08	8.75	3.5	10	4.6
9	FPV-WZA12R-09	9.25	4	10.5	5.1
10	FPV-WZA12R-10	9.75	4.5	11	5.6
11	FPV-WZA12R-11	10.25	5	11.5	6.1
12	FPV-WZA12R-12	10.75	5.5	12	6.6
13	FPV-WZA12R-13	11.25	6	12.5	7.1
14	FPV-WZA12R-14	11.75	6.5	13	7.6
15	FPV-WZA12R-15	12.25	7	13.5	8.1
16	FPV-WZA12R-16	12.75	7.5	14	8.6
17	FPV-WZA12R-17	13.25	8	14.5	9.1
18	FPV-WZA12R-18	13.75	8.5	15	9.6
19	FPV-WZA12R-19	14.25	9	15.5	10.1
20	FPV-WZA12R-20	14.75	9.5	16	10.6
21	FPV-WZA12R-21	15.25	10	16.5	11.1
22	FPV-WZA12R-22	15.75	10.5	17	11.6
23	FPV-WZA12R-23	16.25	11	17.5	12.1
24	FPV-WZA12R-24	16.75	11.5	18	12.6
25	FPV-WZA12R-25	17.25	12	18.5	13.1
26	FPV-WZA12R-26	17.75	12.5	19	13.6
27	FPV-WZA12R-27	18.25	13	19.5	14.1
28	FPV-WZA12R-28	18.75	13.5	20	14.6
29	FPV-WZA12R-29	19.25	14	20.5	15.1
30	FPV-WZA12R-30	19.75	14.5	21	15.6
31	FPV-WZA12R-31	20.25	15	21.5	16.1
32	FPV-WZA12R-32	20.75	15.5	22	16.6
33	FPV-WZA12R-33	21.25	16	22.5	17.1
34	FPV-WZA12R-34	21.75	16.5	23	17.6
35	FPV-WZA12R-35	22.25	17	23.5	18.1
36	FPV-WZA12R-36	22.75	17.5	24	18.6
37	FPV-WZA12R-37	23.25	18	24.5	19.1
38	FPV-WZA12R-38	23.75	18.5	25	19.6
39	FPV-WZA12R-39	24.25	19	25.5	20.1
40	FPV-WZA12R-40	24.75	19.5	26	20.6
41	FPV-WZA12R-41	25.25	20	26.5	21.1
42	FPV-WZA12R-42	25.75	20.5	27	21.6
43	FPV-WZA12R-43	26.25	21	27.5	22.1
44	FPV-WZA12R-44	26.75	21.5	28	22.6
45	FPV-WZA12R-45	27.25	22	28.5	23.1
46	FPV-WZA12R-46	27.75	22.5	29	23.6
47	FPV-WZA12R-47	28.25	23	29.5	24.1
48	FPV-WZA12R-48	28.75	23.5	30	24.6
49	FPV-WZA12R-49	29.25	24	30.5	25.1
50	FPV-WZA12R-50	29.75	24.5	31	25.6



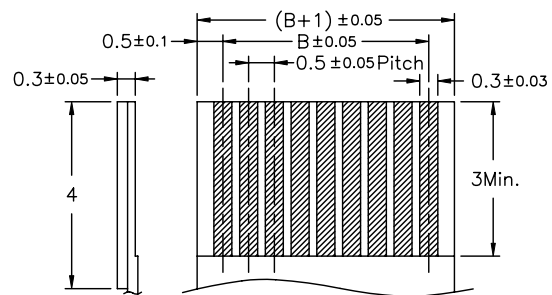
PCB Layout



FPC/FFC INSERT DIRECTION



Applicable FPC



MORETHANALL
 CONNECTORS
 ASSEMBLIES
 焜倫股份有限公司

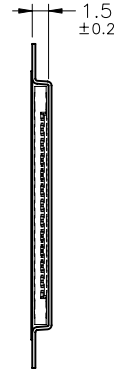
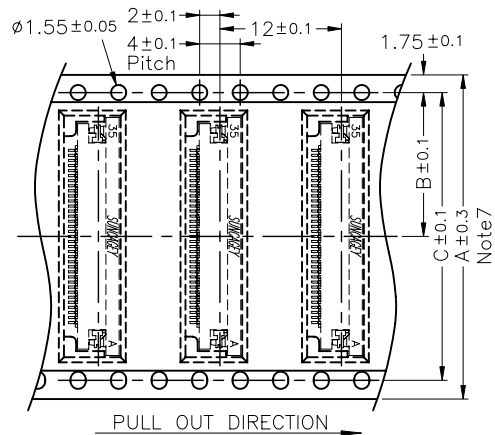
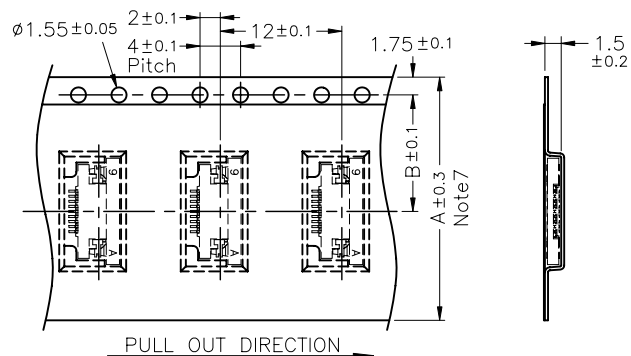
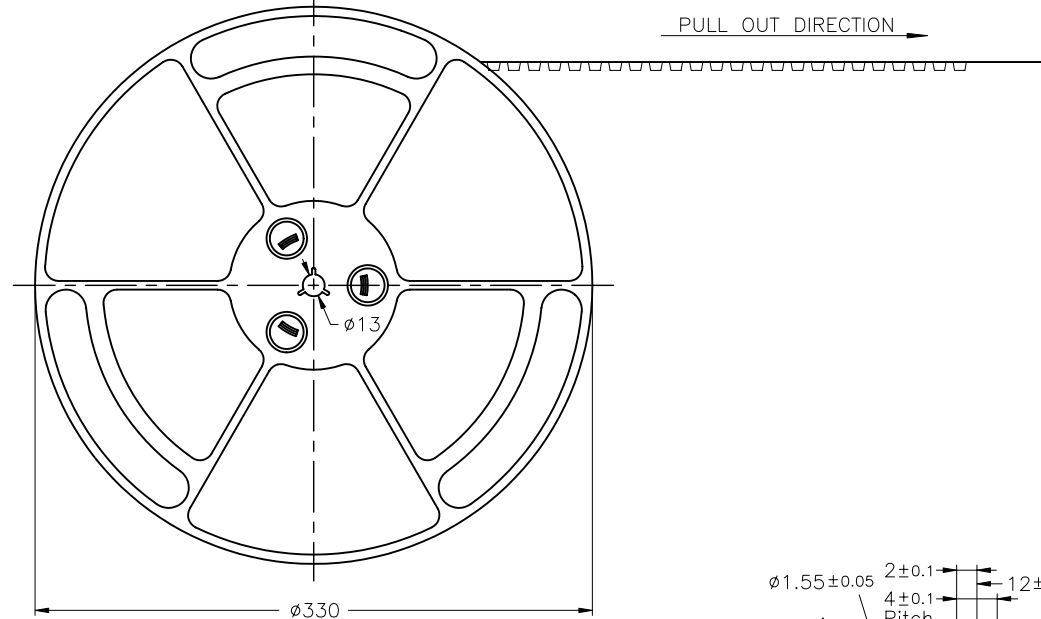
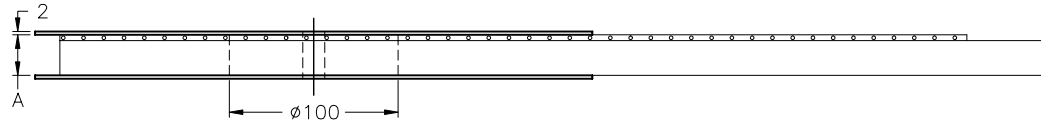
PART NO. FPV-WZA12R-xx
 DWG NO. FPV-WZA12R-xx
 FILE NO.
 UNIT / mm SCALE 1:1

CHECKED BY CY
 DRAWING BY
 PROJECTION

TOLERANCES ARE
 .X ± 0.2
 .XX ± 0.1
 .XXX ±
 AWG

DESCRIP TION:	AREA	REVISIONS	HK	DATE

EMBOSSED TAPE PACKING



Note:

- 1.10 sprocket hole pitch cumulative tolerance ± 0.2 .
2. Carrier camber is within 1 mm in 100mm.
3. Material : Black Conductive Polystyrene Alloy
100% recyclable.
4. All dimensions meet EIA-481-3 requirements.
5. Thickness : 0.3 ± 0.05 mm.
6. Component load per 13" reel : 3000 pcs.
7. For tape width (dimension A) 16mm and 24mm a pilot hole is provided on one side.
For tape width (dimension A) 32mm and 44mm pilot holes are provided on both sides.

Note7

No. of Contacts	DIM. A	DIM. B	DIM. C
4	16	7.5	—
↓			
6			
↓			
7	24	11.5	—
↓			
22			
↓			
23	32	14.2	28.4
↓			
33			
↓			
34	44	20.2	40.4
↓			
50			

MORETHANALL
CONNECTORS
ASSEMBLIES

PART NO. FPV-WZx12R-xx

DWG NO. FPV-WZx12R-xx

CHECKED BY CY

TOLERANCES ARE

FILE NO.

DRAWING BY

.X ± 0.2

.XX ± 0.1

.XXX \pm
AWG

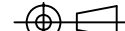
DESCRIPTION:

煜倫股份有限公司

UNIT / mm

SCALE 1:1

PROJECTION



AREA

REVISIONS

HK

DATE