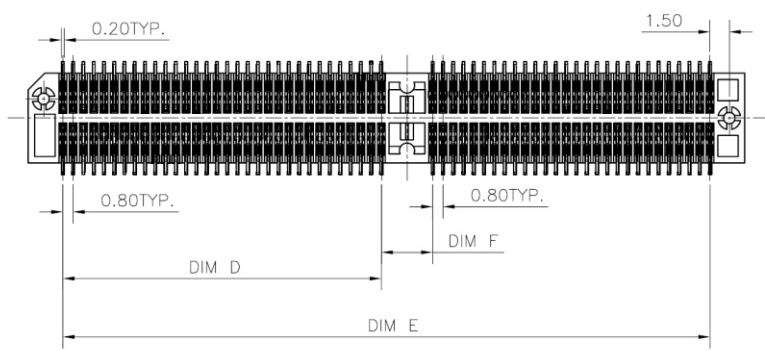
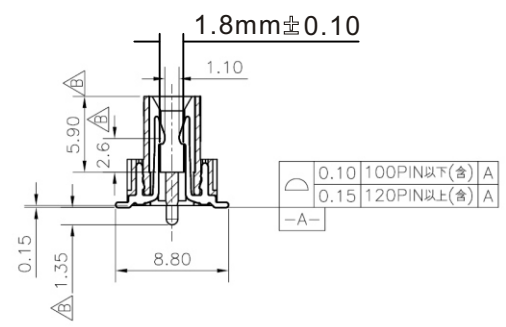
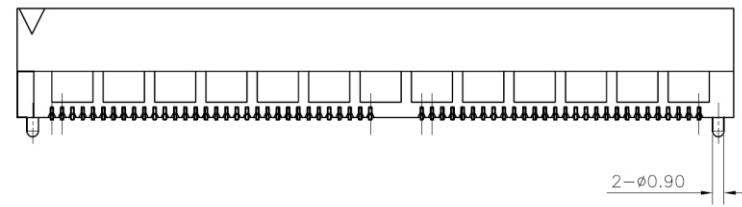
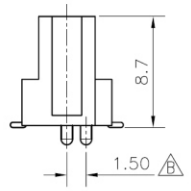


- NOTES:
- MATERIAL:
    - HOUSING: THERMOPLASTIC, HIGH TEMP., UL94V-0; COLOR:BLACK.
    - CONTACT: COPPER ALLOY
  - FINISH:
    - CONTACT: GOLD FLASH PLATING OVERALL. 50u" MIN. NICKEL UNDERPLATING OVERALL.
  - REFLOW SOLDER CAPABLE TO 260°C PER **Morethanall** SPEC.
  - IF CKT AT 20-70PIN DID NOT DEFEND THE POLARIZATION KEY; THAN CKT >= 80PIN HAVE ALREADY DEFEND THE POLARIZATION KEY

E08-V8PC-xxx-LF  
LEADFREE  
RoHS Compliant



P/N	Ckts	Dim A	Dim B	Dim C	Dim D	Dim E	Dim F	Dim G	Dim H
E08-V8PC-020	20	--	9.40	12.60	--	7.20	0.80	0	0
E08-V8PC-040	40	--	17.40	20.60	--	15.20	0.80	0	0
E08-V8PC-060	60	--	25.40	28.60	--	23.20	0.80	0	0
E08-V8PC-070	70	--	29.40	32.60	--	27.20	0.80	0	0
E08-V8PC-080	80	18.80	36.60	39.80	16.80	34.40	4.00	2.40	2.20
E08-V8PC-090	90	20.40	40.60	43.80	18.40	38.40	4.00	2.40	2.20
E08-V8PC-100	100	22.80	44.60	47.80	20.80	42.40	4.00	2.40	2.20
E08-V8PC-120	120	26.80	52.60	55.80	24.80	50.40	4.00	2.40	2.20
E08-V8PC-140	140	30.80	60.60	63.80	28.80	58.40	4.00	2.40	2.20



PART NO. E08-V8PC-xxx

DWG NO. E08-V8PC-xxx

FILE NO.

UNIT / mm

SCALE 1:1

CHECKED BY CY

DRAWING BY

PROJECTION

TOLERANCES ARE  
.X ± 0.2  
.XX ±  
.XXX ±  
AWG

DESCRIP TION:  
AREA

REVISIONS	HK	DATE
-----------	----	------

煜倫股份有限公司