

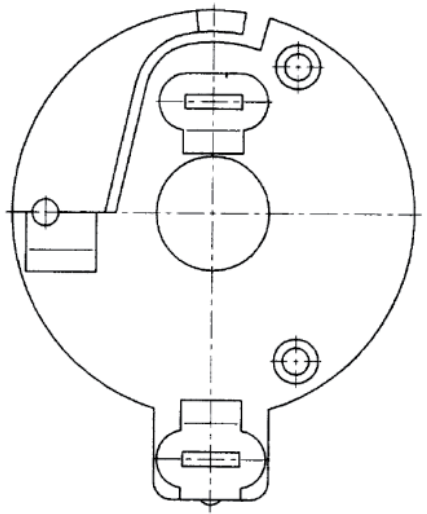
ELECTRICAL PERFORMANCE :

1. RATING : DC 3V , 120mA.
2. INTER-CONTACT RESISTANCE : 100m OHM MAX. AT BOTH THE POSITIVE AND NEGATIVE TERMINALS WHEN MEASURED BETWEEN THE TERMINALS OF THE CR2032 AT 1KHz WITH LOW DRAINAGE (100mA MAX.)
3. INSULATION RESISTANCE : 100M OHM MIN. WITH DC 500V APPLIED BETWEEN THE POSITIVE AND NEGATIVE TERMINALS.
4. VOLTAGE DURABILITY : NO DEGRADATION WITH DC 500V APPLIED FOR ONE MINUTE BETWEEN THE POSITIVE AND NEGATIVE TERMINALS.

MECHANICAL PERFORMANCE :

1. BATTERY INSERTION FORCE : 0.3KG-1.0KG FOR THE INITIAL CR2032 BATTERY INSERTION.
2. SPRING PRESSURE : 50G MIN. INITIAL CONTACT FORCE AT POSITIVE AND NEGATIVE TERMINALS.
3. TERMINAL STRENGTH : ELECTRICAL AND MECHANICAL PERFORMANCE SPECIFICATIONS SHOULD STILL BE SATISFIED. WITHOUT TERMINAL CRACKING OR EXCESSIVE PLAY , WITH A STATIC LOAD OF 1KG APPLIED TO THE TERMINALS IN ANY DIRECTION . HOWEVER , THE TERMINAL MAY BEND .

P.C.B. HOLE PATTERN



Unless other specified, tolerance is ±0.2mm

3.	NEGATIVE CONTACT	1	BRASS	NICKEL PLATED	
2.	POSITIVE CONTACT	1	PHOSPHOR BRONZE	NICKEL PLATED	
1.	HOUSING	1	NYLON		UL94V-0
P/N	PART NAME	Q'TY	MATERIAL	PLATING	REMARKS

RoHS Compliant

TOLERANCES ARE

MORETHANALL
PCB CONNECTORS
Cable ASSEMBLIES

煜倫股份有限公司

www.morethanall.com

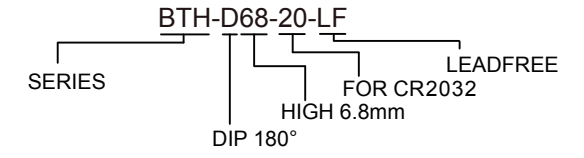
DRAWING BY CY
CHECKED BY GENIUS
UNIT / mm SCALE 1 : 1
DATE
SIZE A4

X. ±
.X ±
.XX ±
.XXX ±
ANG ±

PJECTION



ORDER INFORMATION



DESCRIPTION: