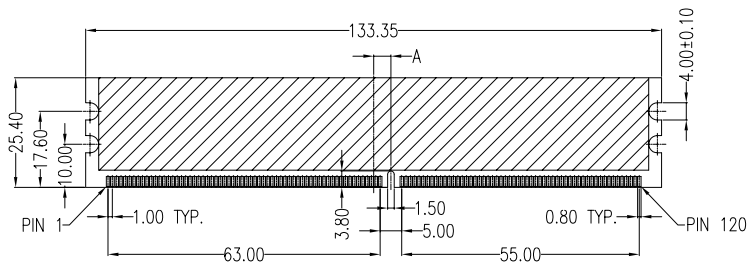
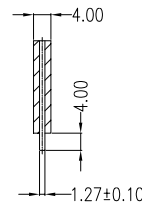
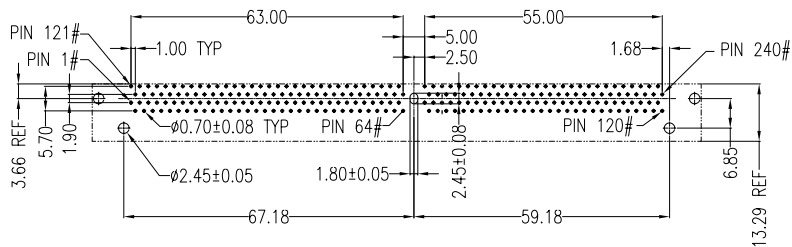


SECT:A-A



RECOMMENDED MODULE LAYOUT



P.C.B. LAYOUT
TOP VIEW

Dimension Type	XX
2.5V	3.00mm
1.8V	4.00mm
OPEN	5.00mm

Dimension Type	YY
Long Pin	3.20mm
Short Pin	2.75mm

NOTES

*** Material:**

Body: LCP, Glass Filled UL 94-0 Rated, Color: Black;
 Ejector: Nylon66, Glass Filled UL 94V-0 Rated, Color: Ivory;
 Latch: LCP, Glass Filled UL 94V-0 Rated; Color: Black.
 Contact: Brass
 Contact Plating: Gold Plating Over Nickel On Contact Area
 Tin Plating On Solder Tail;
 Harpoon: Phosphor Bronze
 Harpoon Plating: Tin plating over Nickel.

*** Mechanical:**

Retention Force-Terminal: 350 Grams MIN. Per;
 Insertion Force: 40~120 Grams/Contact pair
 Unmating Force: 20 Grams (Min)/Contact pair

*** Electrical Specification:**

Contact Resistance: 30 Milliohms MAX. Initial;
 Insulation Resistance: 1000 Megohms MIN. AT 500 VDC
 Withstand Voltage: 500 V AC,

*** Environmental:**

Operating Temperature: -55°C TO +105°C

DIM1-Axxy-240-LF
LEADFREE
32:3.20mm
27:2.75mm
30:2.5V
40:1.8V
50:OPEN

MORE THAN ALL
 CONNECTORS
 ASSEMBLIES

煜倫股份有限公司

PART NO. **DIM1-Axxy-240**

DWG NO. **DIM1-Axxy-240**

FILE NO.

UNIT / mm

SCALE 1:1

CHECKED BY CY

DRAWING BY

PROJECTION

TOLERANCES ARE

.X ± 0.2
 .XX ±
 .XXX ±
 AWG

DESCRIPTION:

DDR2-240 Pins 25D
 Connector

AREA

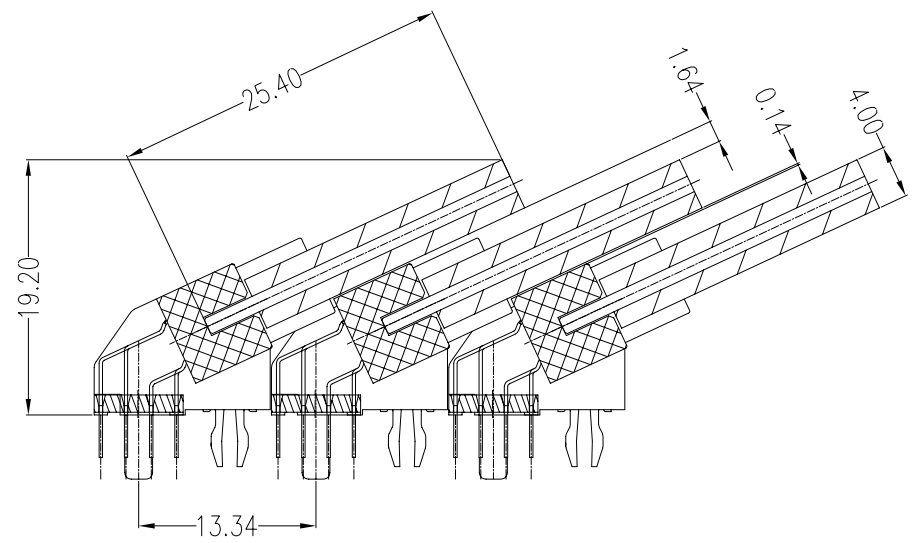
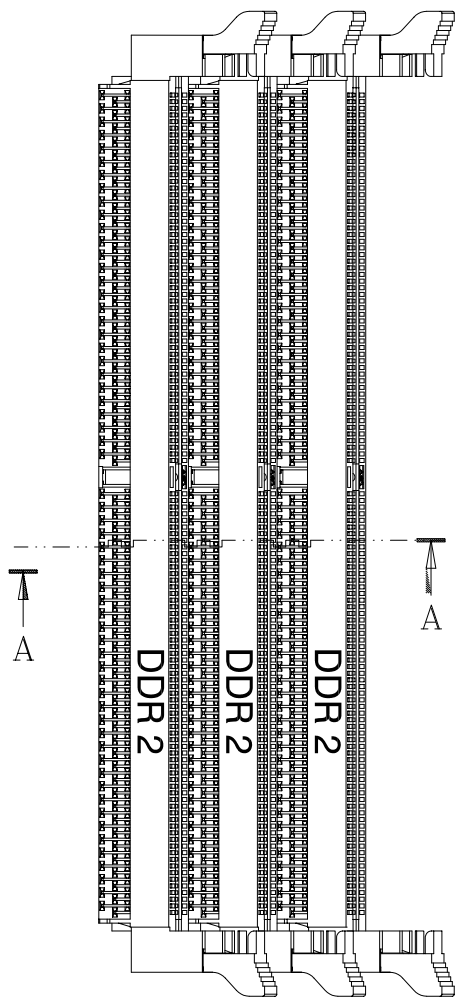
REVISIONS

HK

DATE

1 2 3 4 5 6 7 8 9 0

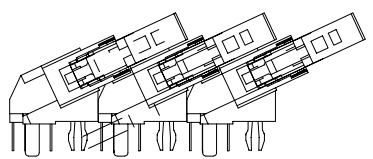
J
I
H
G
F
E
D
C
B
A



SECT:A-A(2:1)

MINIMUM SOCKET TO SOCKET SPACING

WITH A 4.00 WIDE MODULE BOARD.A SOCKET TO SOCKET SPACING OF 13.34 WILL LEAVE APPROXIMATELY 0.14 OF CLEARANCE BETWEEN THE MODULE AND THE NEXT SOCKET BODY. THIS SPACING MAY OR MAY NOT BE SUITABLE DEPENDING ON YOUR MINIMUM GAP REQUIREMENTS.



PART NO. DIM1 - Axxyy - 240

DWG NO. DIM1 - Axxyy - 240

CHECKED BY CY

TOLERANCES ARE

DESCRIPTION: DDR2-240 Pins 25D Connector

FILE NO.

DRAWING BY

.X ± 0.2
.XX ±
.XXX ±
AWG

AREA	REVISIONS	HK	DATE
------	-----------	----	------

焜倫股份有限公司

UNIT / mm

SCALE 1:1

PROJECTION