

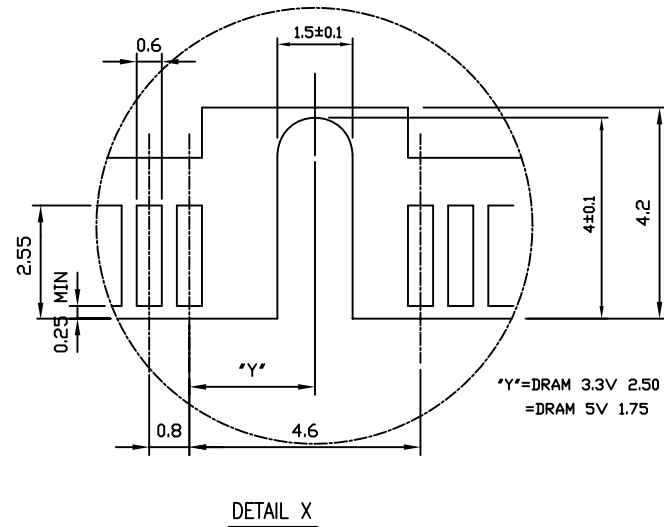
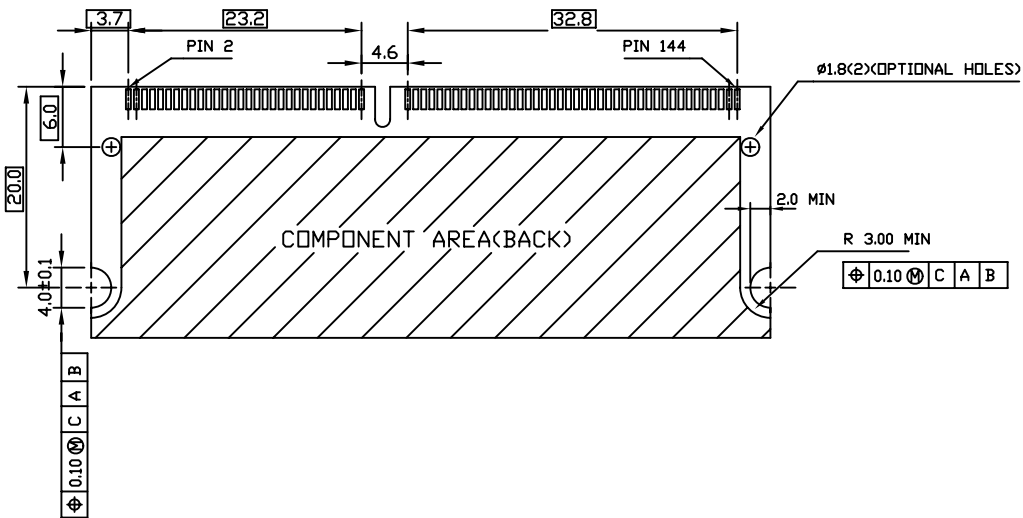
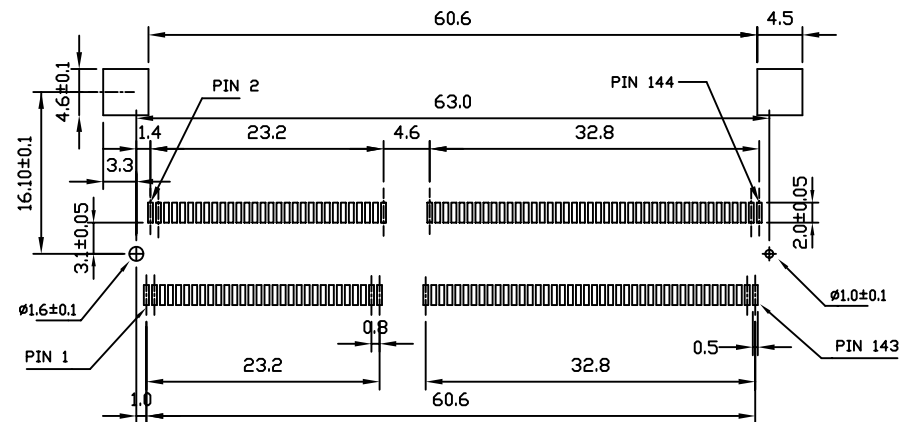
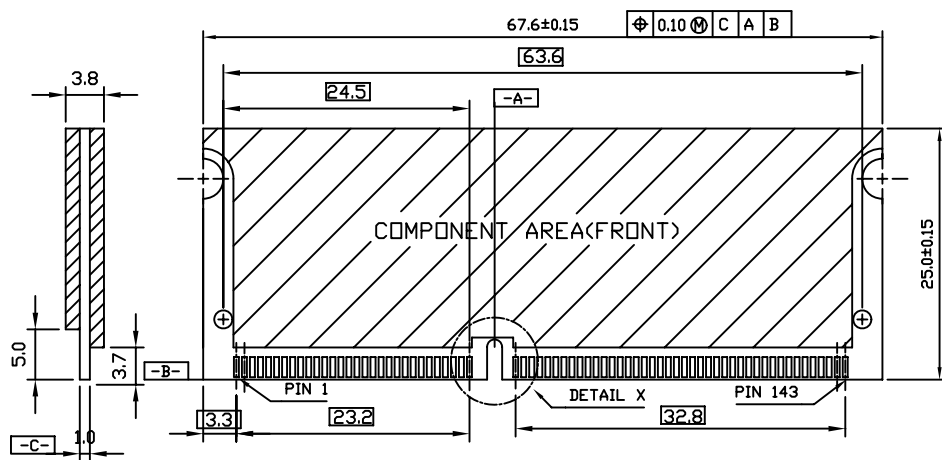
SDM8-W_{xx}V_{xx}-6084-LF
 V33:3.3V V50:5.0V LEADFREE
 HEIGHT:
 40:4.0mm
 52:5.2mm
 56:5.6mm
 99:9.9mm
 RoHS Compliant

- NOTES:
 1, GENERAL TOLERANCE IS ±0.1, ±0°30'.
 2, NO DAMAGE AFTER ASSEMBLE.
 3, MATERIAL: HOUSING=LCP / UL94V-0
 COLOR: NATURAL=3.3V DRAM, BLACK=X.XV DRAM.
 CONTACT=PHOS-BRONZE(t=0.2)
 SOLDER TAB=PHOS-BRONZE(t=0.3)
- 4,FINISH: CONTACT GOLD PLATING ON CONTACT AREA
 (PLEASE REFER TO PART NUMBER)
 (100u" TIN OR GOLD FLASH)LEAD ON SOLDER AREA
 40u" NICKLE UNDERPLATED FOR ENTIRE CONTACT
 SOLDER TAB=120u" TIN LEAD 90/10
 40u" NICKEL UNDERPLATED FOR ENTIRE TAB.
- 5,PACKAGING SPEC. PK-500-00



PART NO. SDM8-W _{xx} V _{xx} -6084		CHECKED BY CY		TOLERANCES ARE		DESCRIPTION: S.O.DIMM SOCKET 144 POS ASSY CUSTOMER DRAWING	
DWG NO. SDM8-W _{xx} V _{xx} -6084		DRAWING BY		.X ± 0.1 .XX ± 0.08 .XXX ± 0.01 AWG			
FILE NO.		PROJECTION		AREA		REVISIONS	
UNIT / mm		SCALE 1:1		DATE		HK	

煜倫股份有限公司



MORETHANALL
CONNECTORS
ASSEMBLIES

PART NO. SDM8-WxxVxx-6084

DWG NO. SDM8-WxxVxx-6084

FILE NO.

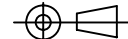
UNIT / mm

SCALE 1:1

CHECKED BY CY

DRAWING BY

PROJECTION



TOLERANCES ARE

.X ± 0.2

.XX ±

.XXX ±

AWG

DESCRIPTION:

AREA

RECOMMENDED PCB LAYOUT FOR S.O.DIMM
MODULE AND PATTERN

REVISIONS

HK

DATE

煜倫股份有限公司