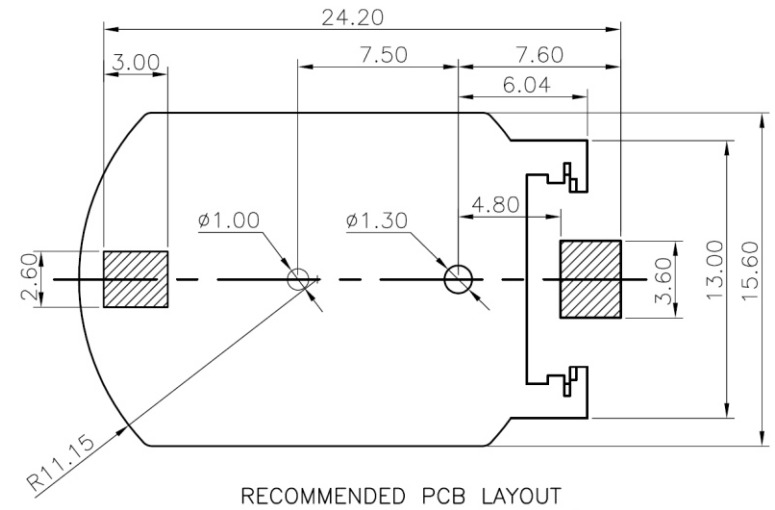
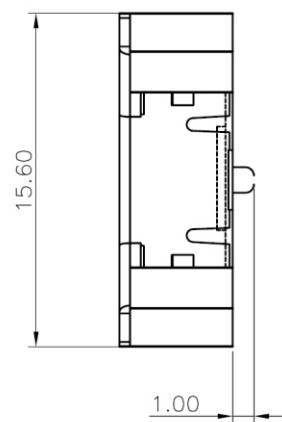
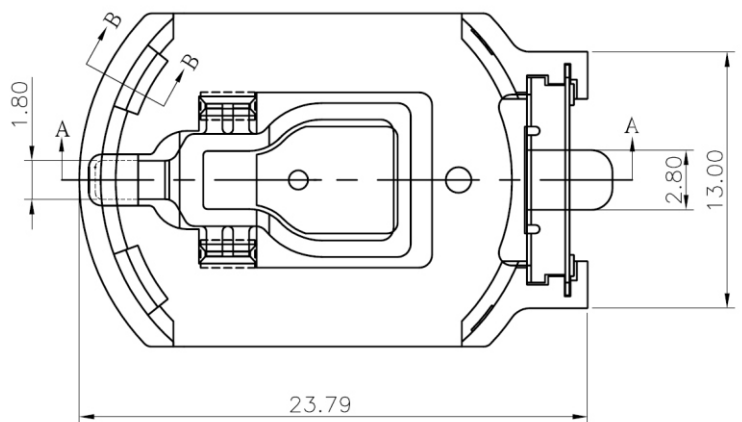


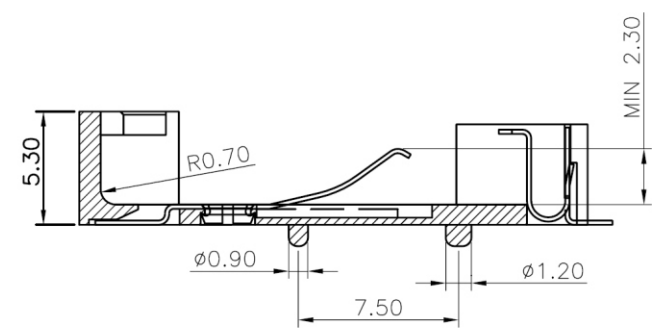
1 2 3 4 5 6 7 8 9 0

J
I
H
G
F
E
D
C
B
A

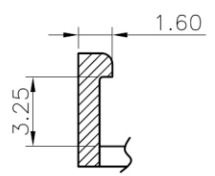


RECOMMENDED PCB LAYOUT

- NOTES:
- 1.DIMENSIONS ARE IN MILLIMETER
 - 2.MATERIAL:
PLASTIC PART:PPS+30%G.F_BROWN.
CONTACT:PHOSPHOR BRONZE
 - 3.FINISH:
CONTACT:GOLD PLATED ALL OVER THE FACE
 - 4.ACCORDING TO THE ENVIRONMENTAL REQUIREMENT,
WE GUARANTEE THE CONTROLLED HAZARDOUS SUBSTANCES
MEET RoHS REQUIREMENT.



SECTION A-A



SECTION B-B

BTH-V53P-20-LF
LEADFREE
RoHS Compliant



PART NO. BTH-V53P-20

DWG NO. BTH-V53P-20

CHECKED BY CY

TOLERANCES ARE

DESCRIP TION:

FILE NO.

DRAWING BY

.X ± 0.2
.XX ± 0.1
.XXX ±
AWG

AREA

煜倫股份有限公司

UNIT / mm

SCALE 1:1

PROJECTION

REVISIONS

HK

DATE