

RECOMMENDED FOOTPRINT

	1	2	3
PLATING	Gold	Gold 20 μ"	
MATERIAL	BRASS	BE COPPER	TEFLON

RoHS Compliant

TOLERANCES ARE

**MORETHANALL**  
PCB CONNECTORS  
Cable ASSEMBLIES  
煜倫股份有限公司

DRAWING BY CY

CHECKED BY GENIUS

UNIT / mm SCALE 1:1

DATE

SIZE A4

X. ±  
.X ±  
.XX ±  
.XXX ±  
ANG ±

PJECTION

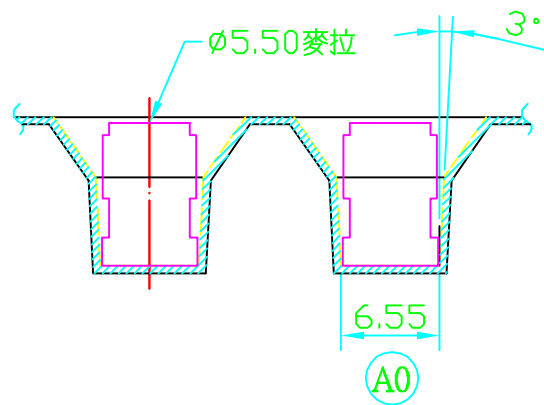
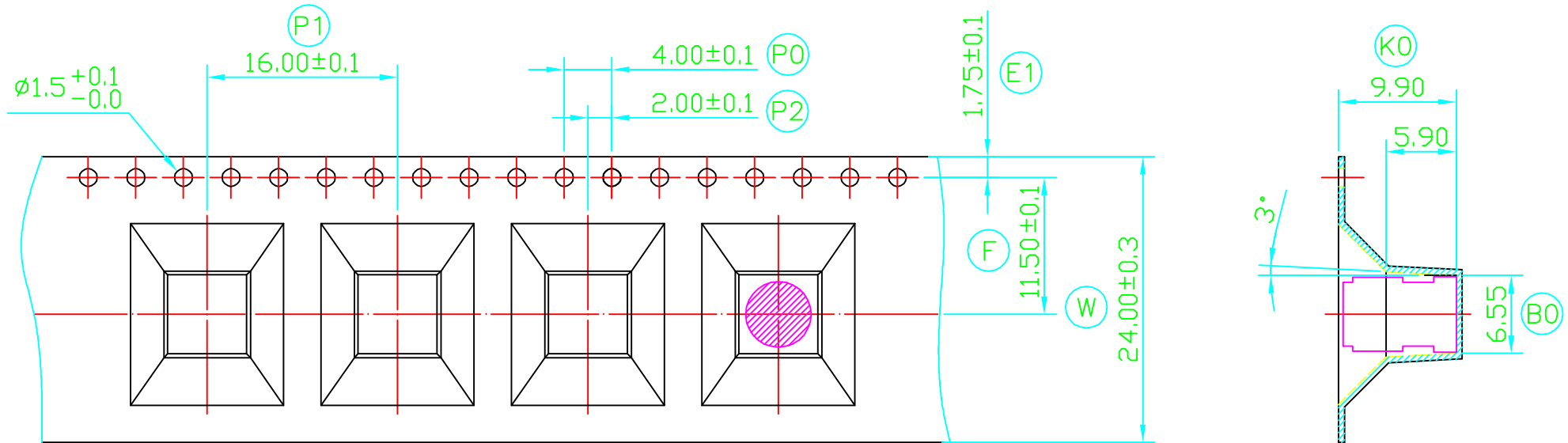


ORDER INFORMATION

SMA-JVCR-50-LF  
SERIES | | | | LEADFREE  
| | | | 50 WAY  
| | | | REEL  
| | | | MYLAR  
| | | | 180°SMT  
| | | | JACK

DESCRIPTION:

www.morethanall.com



1. Material: PS Black-Thickness :  $0.50 \pm 0.05$ mm.
2. Packing Length Per 22" Reel : 18 Meters (1:2).
3. Component Load Per 15" Reel : 500 Pcs.

RoHS Compliant

TOLERANCES ARE

**MORETHANALL**  
PCB CONNECTORS  
Cable ASSEMBLIES

DRAWING BY CY

CHECKED BY GENIUS

UNIT / mm SCALE 1 : 1

DATE

SIZE A4

X.  $\pm 0.30$   
.X  $\pm 0.25$   
.XX  $\pm 0.10$   
.XXX  $\pm 0.05$   
ANG  $\pm 1^\circ$

P PROJECTION



ORDER INFORMATION

SMA-JVCR-50-LF  
SERIES | | | | LEADFREE  
| | | | 50 WAY  
| | | | REEL  
| | | | MYLAR  
| | | | 180°SMT  
| | | | JACK

煜倫股份有限公司

www.morethanall.com

DESCRIPTION: