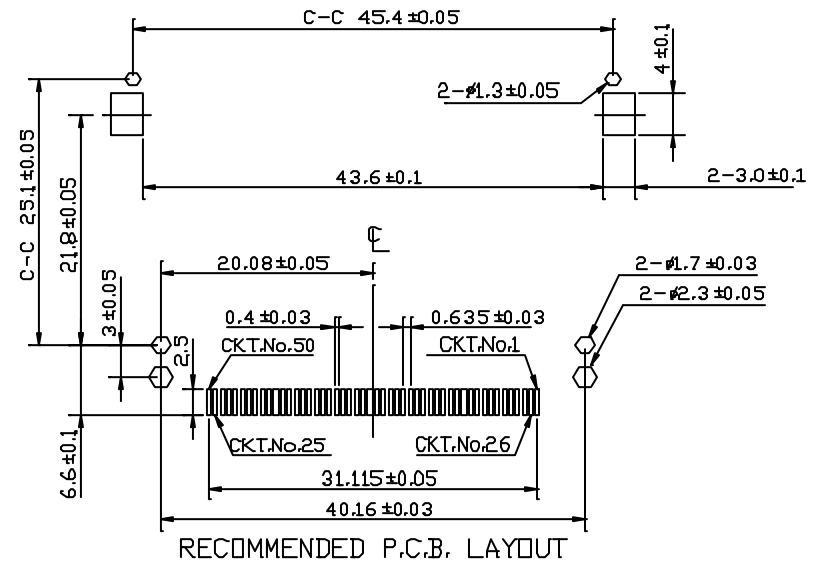
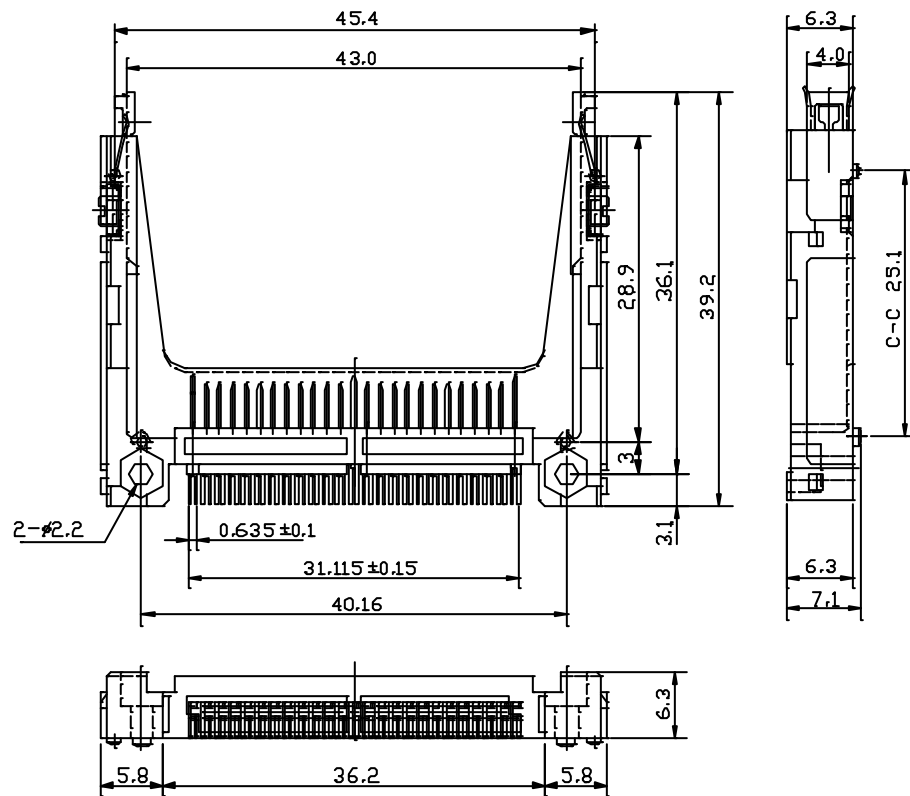


NOTES:  
 MATERIAL  
 Insulator: Glass Reinforced LCP UL94V-0  
 Contacts: Brass Alloy  
 Mount ear: Brass ; Tin plated overall  
 CONTACT PLATING  
 Contact area: Gold plating over 40u" Nickel  
 Solder tail area: 100u" tin plating over 40u" Nickel



CFC-PW40CE201H-50-LF  
 LEADFREE

RoHS Compliant



PART NO. CFC-PW40CE201H-50

DWG NO. CFC-PW40CE201H-50

FILE NO.

UNIT / mm

SCALE 1:1

CHECKED BY CY

DRAWING BY

PROJECTION

TOLERANCES ARE

.X ± 0.2  
 .XX ±  
 .XXX ±  
 AWG

DESCRIPTION:

CF CARD HEADER  
 SMT 50P TYPE II (B0)

AREA

REVISIONS

HK

DATE

焯倫股份有限公司