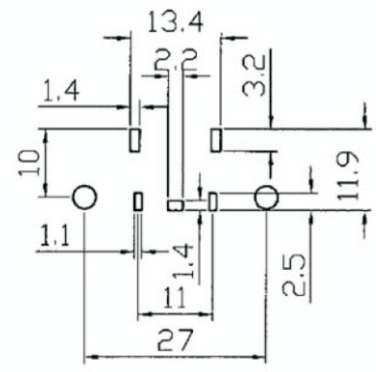
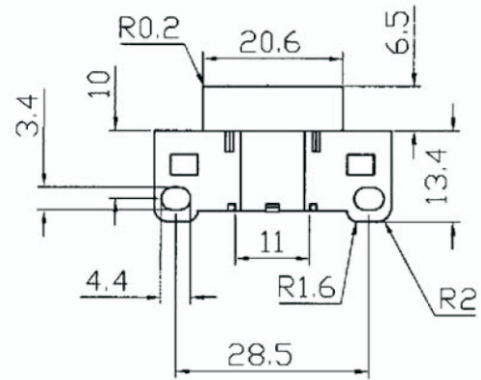
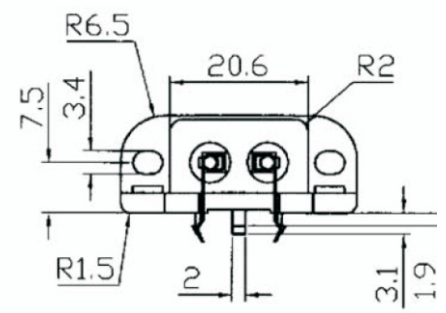
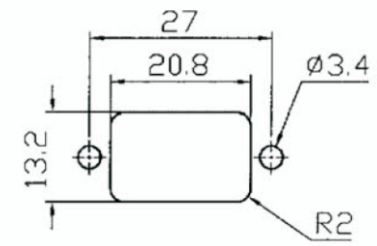
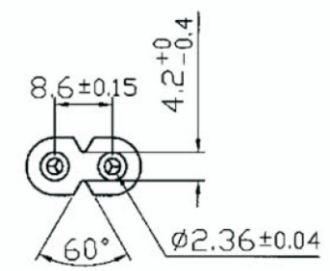


SECTION A-A



PCB LAYOUT



THICKNESS

ACC-PRPEB-02-LF
LEADFREE

RoHS Compliant

2.5A/250V~

1. SOLDERING: PIN PHOSPHOR BRONZE 0.3X2T TIN PLATING
2. CONTACT: PIN PHOSPHOR BRONZE Ø2.36 TIN PLATING
3. BODY INSULATOR: NYLON 66 UL94V-0



PART NO. ACC-PRPEB-02

DWG NO. ACC-PRPEB-02

FILE NO.

UNIT / mm

SCALE 1:1

CHECKED BY CY

DRAWING BY

PROJECTION

TOLERANCES ARE

.X ± 0.2
.XX ±
.XXX ±
AWG

DESCRIP TION:

AREA	REVISIONS	HK	DATE
------	-----------	----	------

煜倫股份有限公司