

RECOMMEND P.C.B LAYOUT

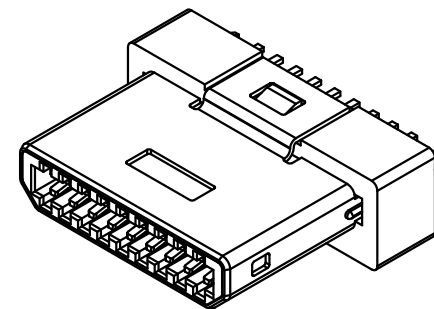


TABLE A

MSB-PDM-18B	MINI USB 18PIN(M) B TYPE (鍍金)	NI 100u"
P/N	DESCRIPTION	SHELL

1. MATERIAL :
 - 1-1. HOUSING : LCP UL94V-0 ; COLOR : BLACK
 - 1-2. CONTACT : PHOSPHOR BRONZE
 - 1-3. SHELL : PHOSPHOR BRONZE
 - 1-4. BACK COVER: PBT+30%GF.
2. FINISH :
 - 2-1. CONTACT : 10 MICRO INCHES MIN. GOLD PLATED
SOLDER AREA : TIN 80u"
 - UNDER PLATE : NICKEL
 - 2-2. SHELL : SEE TABLE A

MSB-PDM-18B-LF
LEADFREE
RoHS Compliant



煜倫股份有限公司

PART NO. MSB-PDM-18B		CHECKED BY CY		TOLERANCES ARE .X ± 0.2 .XX ± .XXX ± AWG	DESCRIP TION:				
DWG NO. MSB-PDM-18B		DRAWING BY							
FILE NO.		PROJECTION		AREA	REVISIONS	HK	DATE		
UNIT / mm	SCALE 1:1								