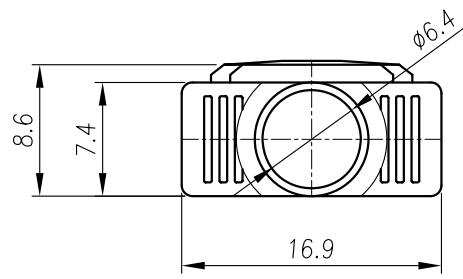
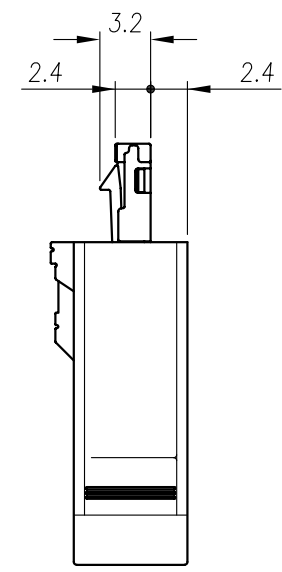
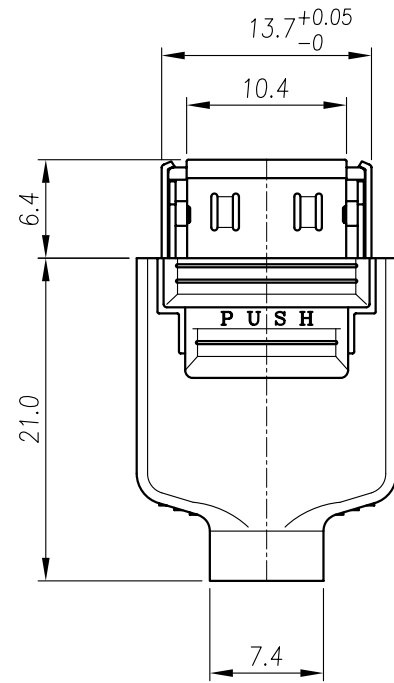
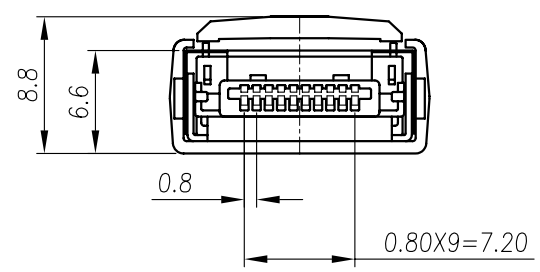


NOTE:

- 1. MATERIAL:
 - 1-1.PLASTIC COVER: C1200(ABC+PC)94-V0
 - 1-2.HOUSING: PBT+30GF(BLACK)
 - 1-3.METAL UP COVER: NICKEL SILVER
 - 1-4.METAL DOWN COVER: BRASS
 - 1-5.PIN: PHOSPHOR BRONZE
 - 1-6.SPRING: STAINLESS SUS#301
- 2. PLATING:
 - 2-1.PIN:TIN,GOLD 10u"
 - 2-2.SHELL:NICKEL 60u"

PCM-PA-10-LF
LEADFREE

RoHS Compliant



| | | | | | | | | | |
|--------------------|-----------|---------------|--|--|--------------------------------|------|-----------|----|------|
| PART NO. PCM-PA-10 | | CHECKED BY CY | | TOLERANCES ARE .X±0.2 .XX± .XXX± AWG | DESCRIPTION: PCMCIA 10PIN 公座成品 | AREA | REVISIONS | HK | DATE |
| DWG NO. PCM-PA-10 | | DRAWING BY | | | | | | | |
| FILE NO. | | PROJECTION | | | | | | | |
| UNIT / mm | SCALE 1:1 | | | | | | | | |

煜倫股份有限公司