

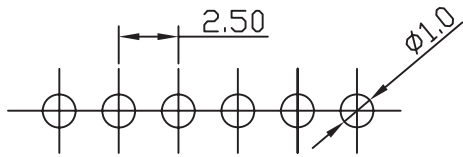
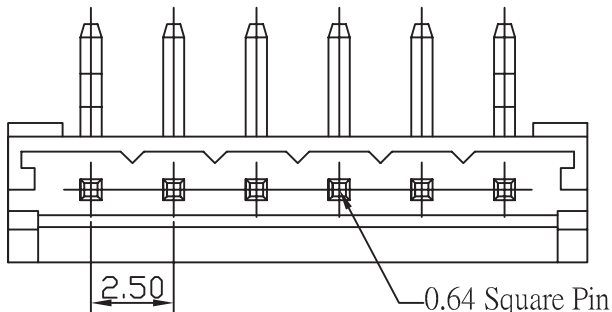
# SPECIFICATIONS

## Electrical

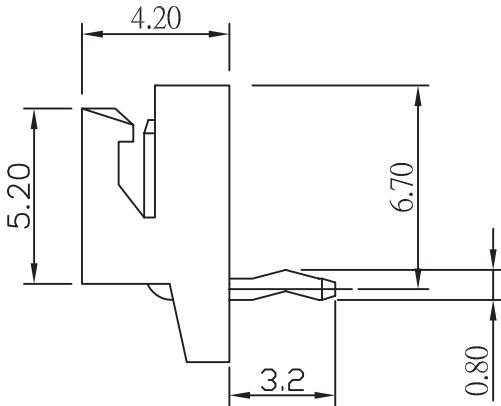
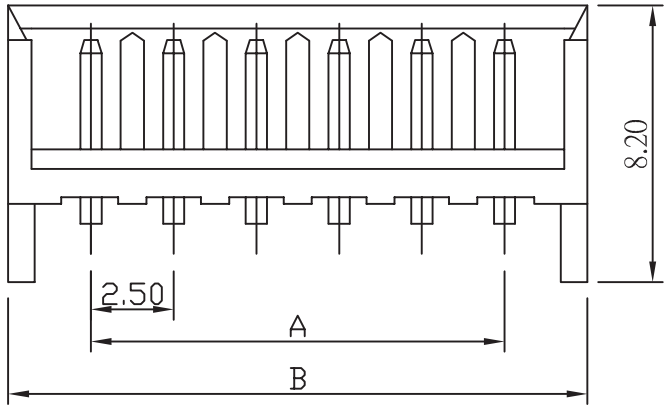
Current Rating: 2.5A AC, DC  
 Voltage Rating: 250V AC/ max.  
 Operating Temp.: -25°C ~ +85°C  
 Insulation Resistance: 1000MΩ/ min.  
 Dielectric Withstanding Voltage: 800V AC/ min.  
 Contact Resistance: 10mΩ/ max.

## Material

Terminal Material: Brass, Copper-Undercoated,/  
 Tin  
 Material: Nylon 66, UL94V-0



RECOMMENDED P.C.BOARD HOLE DIMM.



Poles	Dimension mm (in.)	
	A	B
2	2.50 (0.098)	7.50 (0.295)
3	5.00 (0.197)	10.00 (0.394)
4	7.50 (0.295)	12.50 (0.492)
5	10.00 (0.394)	15.00 (0.591)
6	12.50 (0.492)	17.50 (0.689)
7	15.00 (0.591)	20.00 (0.787)
8	17.50 (0.689)	22.50 (0.886)
9	20.00 (0.787)	25.00 (0.984)
10	22.50 (0.886)	27.50 (1.082)
11	25.00 (0.984)	30.00 (1.181)
12	27.50 (1.082)	32.50 (1.280)
13	30.00 (1.181)	35.00 (1.378)
14	32.50 (1.280)	37.50 (1.476)
15	35.00 (1.378)	40.00 (1.575)

RoHS Compliant

TOLERANCES ARE

**MORETHANALL**  
 PCB CONNECTORS  
 Cable ASSEMBLIES

煜倫股份有限公司

www.morethanall.com

DRAWING BY CY

CHECKED BY GENIUS

UNIT/ mm

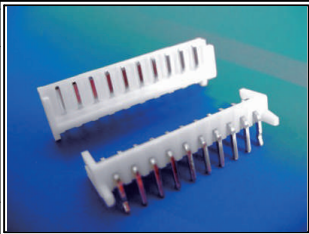
SCALE 1:1

DATE

SIZE A4

X. ±  
 .X ±  
 .XX ±  
 .XXX ±  
 ANG ±

P PROJECTION



ORDER INFORMATION

EH-R-xx-LF  
 SERIES | LEADFREE  
 02~15WAY  
 DIP 90°

DESCRIPTION: 2.5mm Wire-to-Board Header DIP 90° Type