

POSITION	A	B	C	D	E
10	32.24	10.16	27.52	21.57	18.25
12	34.78	12.70	30.06	24.11	20.79
14	37.32	15.24	32.60	26.65	23.33
16	39.86	17.78	35.14	29.19	25.87
20	44.94	22.86	40.22	34.27	30.95
24	50.02	27.94	45.30	39.35	36.03
26	52.56	30.48	47.84	41.89	38.57
30	57.64	35.56	52.92	46.97	43.65
34	62.72	40.64	58.00	52.05	48.73
40	70.34	48.26	65.62	59.67	56.35
44	75.42	53.34	70.70	64.75	61.43
50	83.04	60.96	78.32	72.37	69.05
60	95.74	73.66	91.02	85.07	81.75
64	100.82	78.74	96.10	90.15	86.83

SPECIFICATIONS

Material

Insulator: PBT, glass reinforced, rated UL 94V-0

Contact: Phosphor Bronze or Brass

Electrical

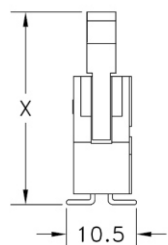
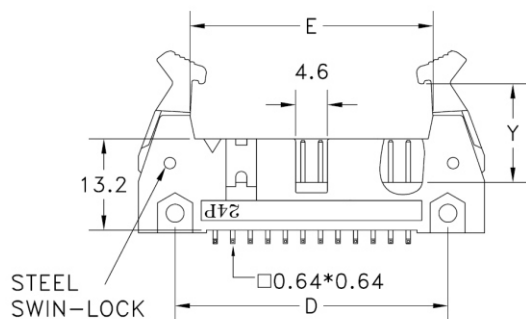
Current Rating: 2 Amp

Contact Resistance: 30 mΩ max.

Insulation Resistance: 3000 MΩ min.

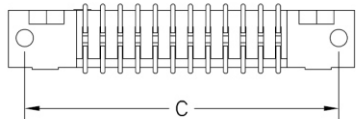
Dielectric Withstanding Voltage: 500V AC for 1 minute

Operating Temperature: -40°C to +105°C

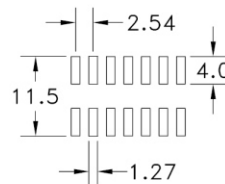


STEEL SWIN-LOCK

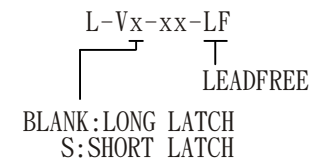
0.64*0.64



ACCESSORIES	X	Y
LONG LATCH	27.8	14.6
SHORT LATCH	26.2	10.6



RECOMMENDED P.C.B LAYOUT



RoHS Compliant



PART NO. L-Vx-xx

DWG NO. L-Vx-xx

CHECKED BY CY

TOLERANCES ARE

DESCRIP TION:

FILE NO.

DRAWING BY

.X ± 0.2
.XX ±
.XXX ±
AWG

AREA	REVISIONS	HK	DATE
------	-----------	----	------

煜倫股份有限公司

UNIT / mm

SCALE 1:1

PROJECTION