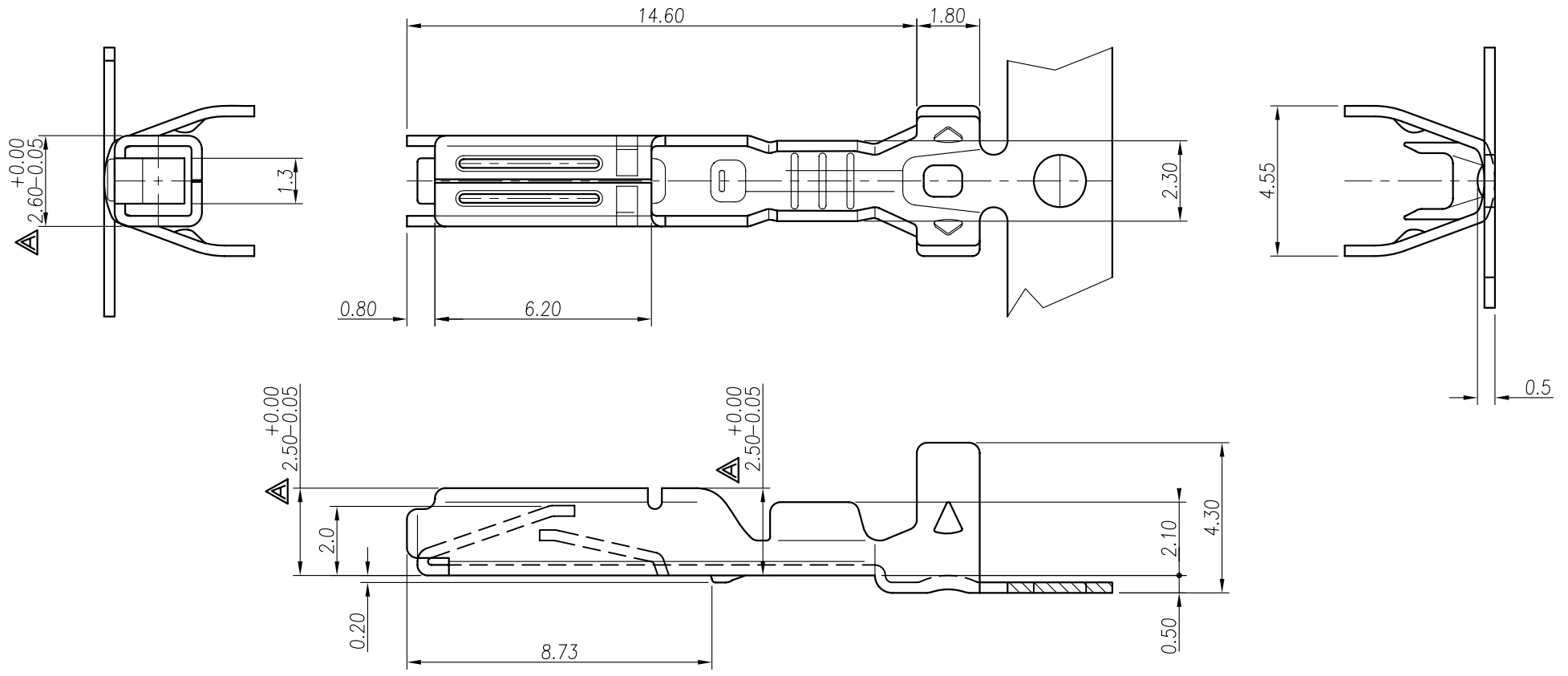


1 2 3 4 5 6 7 8 9 0

J
I
H
G
F
E
D
C
B
A



NOTE:
1.MATERIAL:BRASS
2.PLATING:TIN 60u"

OBD-FT-18-LF
LEADFREE

RoHS Compliant



PART NO. OBD-FT-18		CHECKED BY CY		TOLERANCES ARE .X ± 0.2 .XX ± .XXX ± AWG	DESCRIPTION: OBD2 (F) 端子			
DWG NO. OBD-FT-18		DRAWING BY			AREA	REVISIONS	HK	DATE
FILE NO.		PROJECTION						
UNIT / mm	SCALE 1:1							

煜倫股份有限公司