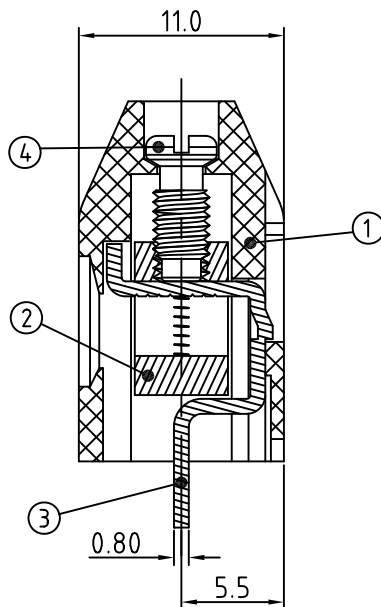


N=Number of contacts



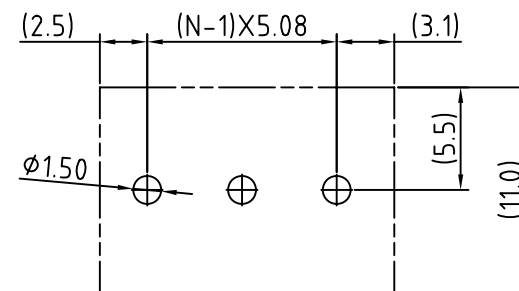
Material:

- Item 1 Insulator body:Thermoplastic (UL 94V-0)
- Item 2 Terminal body(house): Brass ,Ni plated
- Item 3 Contacts:Brass ,Tin plated
- Item 4 Terminal screw: Steel Zinc plating"-slot type

Electrical cULus

- Voltage rating: 300VAC
- Current rating: 10A
- Wire range:
- Solid wire(AWG): 12-22
- Stranded wire(AWG): 12-22
- Torque(Lb-In): 3.5
- Screw: M3
- Wire strip length: 6-7mm
- Withstanding Voltage: 1.6KV
- Operating temperature: -30°C to +105°C
- △ Soldering temperature: 250°C±10°C/5 Sec
- Safety Approval: cULus

P.C.B. LAYOUT



RoHS Compliant

TOLERANCES ARE



煜倫股份有限公司

www.morethanall.com

DRAWING BY CY

CHECKED BY GENIUS

UNIT / mm

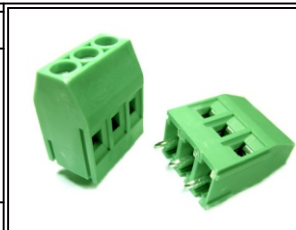
SCALE 1 : 1

DATE

SIZE A4

P PROJECTION

X. ±  
.X ±  
.XX ±  
.XXX ±  
ANG ±



ORDER INFORMATION

TBHO51-D19-xx-LF

SERIES

LEADFREE

02-24WAY

HIGH 19.3mm

DIP 180°

DESCRIPTION: