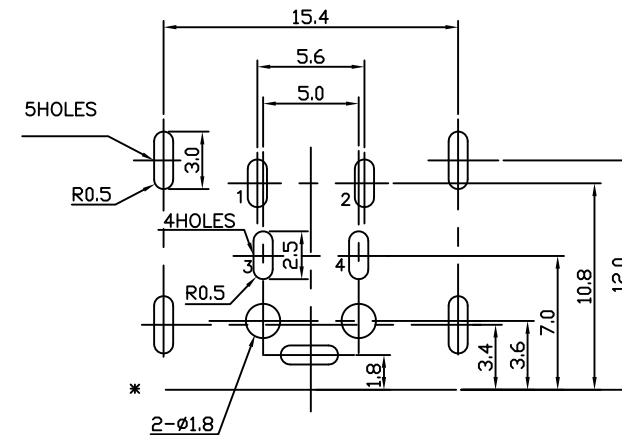
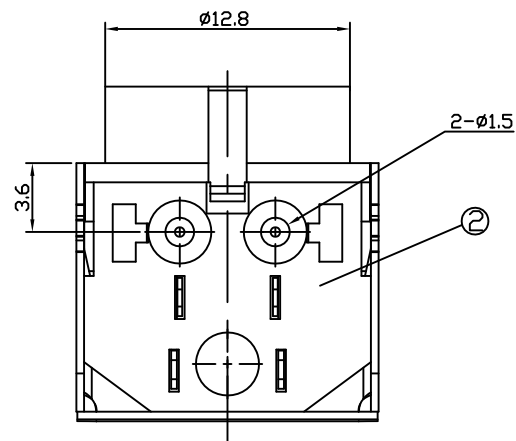


SCHEMATIC DIAGRAM



T:1.6 Dimensions of PC board holes
Tolerance : ±0.1(Printed-Top view)



5	COAT	1	SPCC	t=0.4	MB:Cu	Cu/Sn	PLATED
4	GROUND CONTACT	1	C2680	t=0.4	MB:Cu	Cu/Sn	PLATED
3	TERMINAL	4	C2680	t=0.3	MB:Cu	Ag	PLATED
2	COVER	1	PBT 4815		UL-94V0(BLACK)		
1	HOUSING	1	PBT 4815		UL-94V0(BLACK)		
LTR	PART NAME	QTY	MATERIAL		REMARK		

UNLESS OTHERWISE SPECIFIED, TOLERANCE ON DECIMAL: ±0.3

RoHS Compliant

TOLERANCES ARE

MORETHANALL
PCB CONNECTORS
Cable ASSEMBLIES

DRAWING BY CY

X, ±

CHECKED BY GENIUS

.X ±

UNIT / mm

SCALE 1 : 1

.XX ±

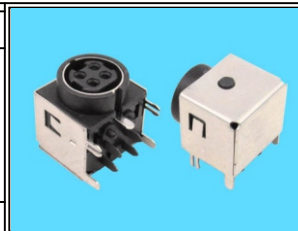
DATE

.XXX ±

SIZE A4

P PROJECTION

ANG ±



ORDER INFORMATION

MDP-JRM-04-LF
SERIES | | | LEADFREE
04 WAY
METAL
DIP 90°
JACK

煜倫股份有限公司

www.morethanall.com

DESCRIPTION: POWER JACK QUICK LOCK