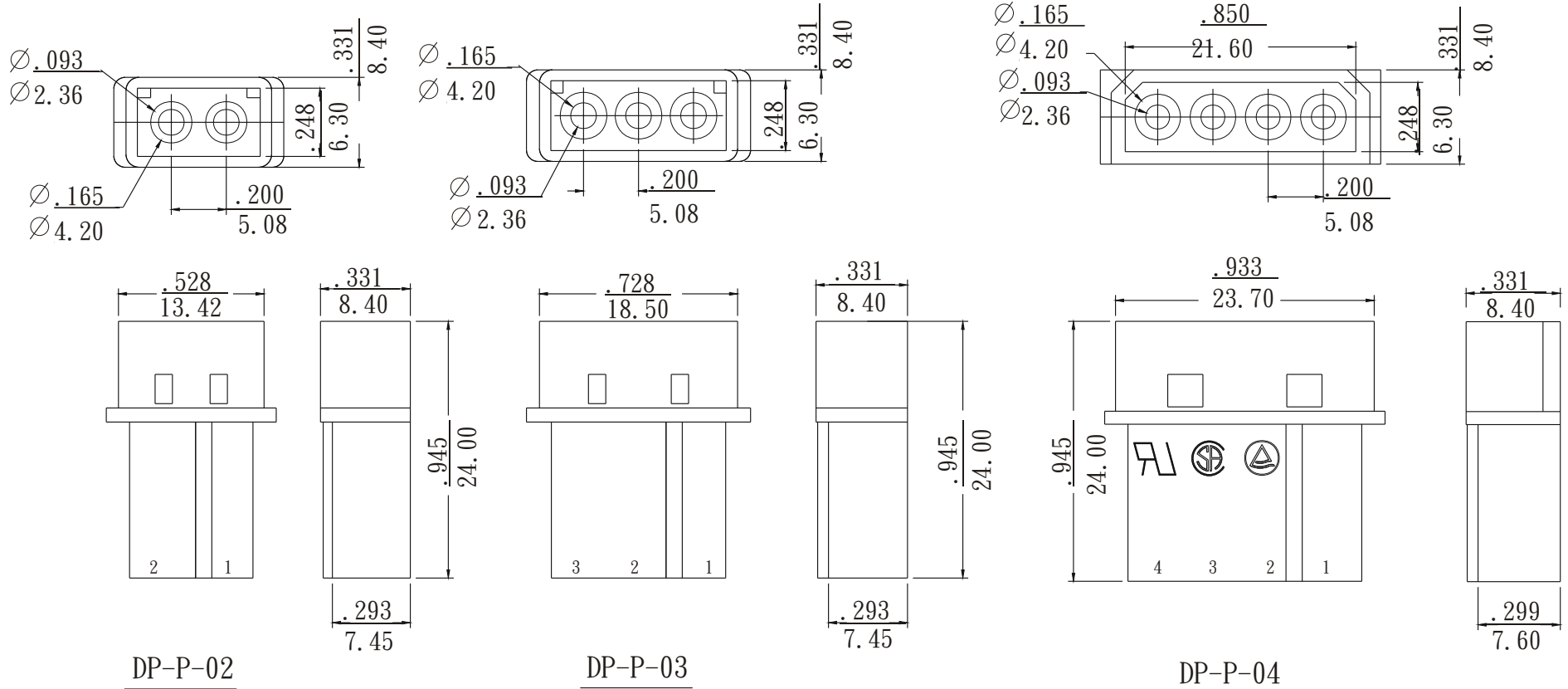


- \* Material: Nylon UL 94V-2
- \* Current rating : 5A, AC/DC
- \* Voltage rating : 250V, AC/DC
- \* Color : Natural
- \* 2, 3 & 4 circuits available



RoHS Compliant

TOLERANCES ARE

**MORETHANALL**  
PCB CONNECTORS  
Cable ASSEMBLIES

DRAWING BY CY

CHECKED BY GENIUS

UNIT / mm

SCALE 1 : 1

DATE

SIZE A4

PPOJECTION

X. ±  
.X ±  
.XX ±  
.XXX ±  
ANG ±



ORDER INFORMATION

DP-P-xx-LF  
SERIES | LEADFREE  
02~04WAY  
MALE HOUSING

煜倫股份有限公司

www.morethanall.com

DESCRIPTION: