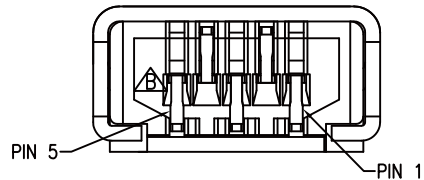
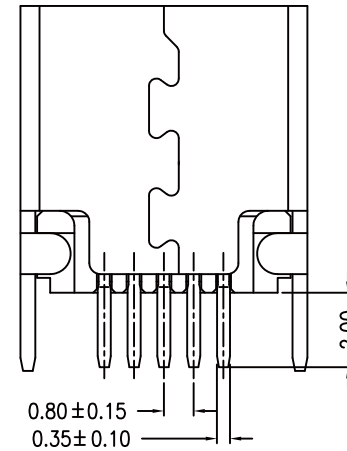
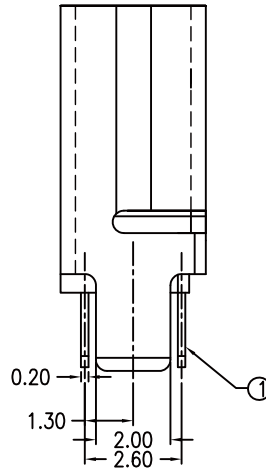
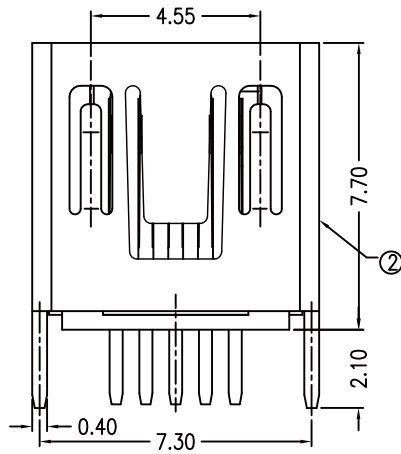


RECOMMENDED PCB LAYOUT(t=1.00±0.15)
COMPONENT SIDE

| | | | |
|------|----------|-----------------------|--|
| 3 | HOUSING | LCP | G.F. 30%, UL94V-0, COLOR: BLACK |
| 2 | SHELL | COPPER ALLOY (t=0.40) | UNDER-PLATING: Cu 1.25um OVER-PLATING: Ni 1um |
| 1 | TERMINAL | COPPER ALLOY (t=0.20) | CONTACT AREA: Au 0.76um SOLDER AREA: Sn 2.5um UNDER-PLATING: Ni 1.25um |
| ITEM | DESC. | MATERIAL | REMARKS |



RoHS Compliant

TOLERANCES ARE

MORETHANALL
PCB CONNECTORS
Cable ASSEMBLIES

DRAWING BY CY

CHECKED BY GENIUS

UNIT/mm

SCALE 1:1

DATE

SIZE A4

X, ±

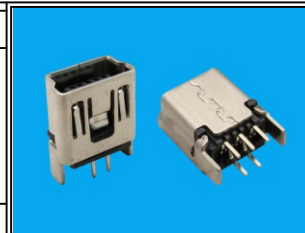
.X ±

.XX ±

.XXX ±

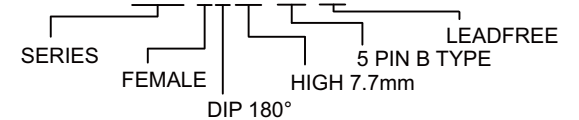
ANG ±

P PROJECTION



ORDER INFORMATION

MSB-SDH7-5B-LF



煜倫股份有限公司

www.morethanall.com

DESCRIPTION: