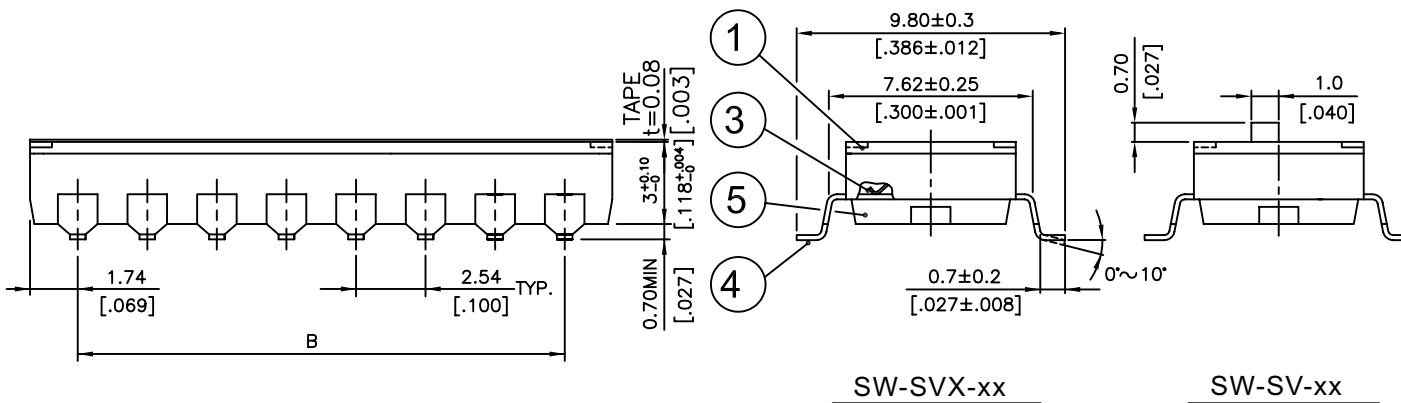
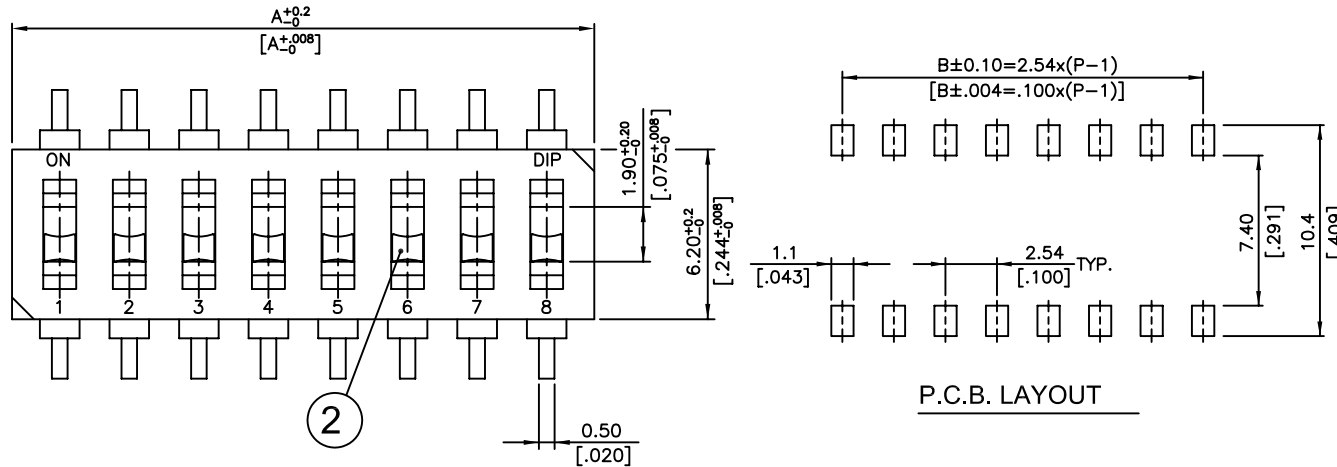
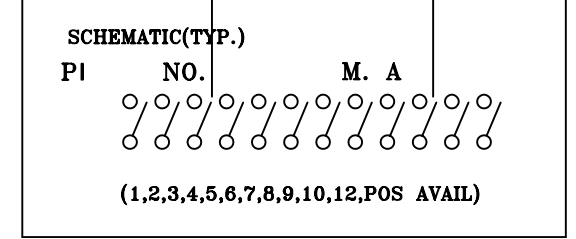


- NOTE:**
1. ALL DIMENSIONS ARE IN MILLIMETERS, BRACKETED DIMENSIONS ARE IN INCHES.
 2. GENERAL TOLERANCES: 10mm OVER - ± 0.20 mm.
10mm BELOW - ± 0.10 mm.
 3. DM(R)-02 / DM(R)-03 ARE WITHOUT "DIP" PRINTING.



| | | | |
|-----------------------|----|--------------|--------------|
| SW-SV-12 SW-SVX-12 | 12 | 31.42[1.237] | 27.94[1.100] |
| SW-SV-10 SW-SVX-10 | 10 | 26.34[1.037] | 22.86[.900] |
| SW-SV-09 SW-SVX-09 | 9 | 23.80[.937] | 20.32[.800] |
| SW-SV-08 SW-SVX-08 | 8 | 21.26[.837] | 17.78[.700] |
| SW-SV-07 SW-SVX-07 | 7 | 18.72[.737] | 15.24[.600] |
| SW-SV-06 SW-SVX-06 | 6 | 16.18[.637] | 12.70[.500] |
| SW-SV-05 SW-SVX-05 | 5 | 13.64[.537] | 10.16[.400] |
| SW-SV-04 SW-SVX-04 | 4 | 11.10[.437] | 7.62[.300] |
| SW-SV-03 SW-SVX-03 | 3 | 8.56[.337] | 5.08[.200] |
| SW-SV-02 SW-SVX-02 | 2 | 6.02[.237] | .54[.100] |

| | | | |
|-------------|--------------------|-----------|---------------|
| - | - | - | - |
| 3OD. | NO. OF POS. | DI | DIM. B |



SW-SVx-xx-LF
LEADFREE
BLANK:RAISED/ACTUATOR
X:RECESSED/ACTUATOR

RoHS Compliant

MORETHANALL
CONNECTORS
ASSEMBLIES

PART NO. SW-SVx-xx

DWG NO. SW-SVx-xx

FILE NO.

UNIT / mm

SCALE 1:1

CHECKED BY CY

DRAWING BY

PROJECTION

TOLERANCES ARE

.X ± 0.2
.XX \pm
.XXX \pm
AWG

DESCRIPTION:

AREA

REVISIONS

HK

DATE

煜倫股份有限公司