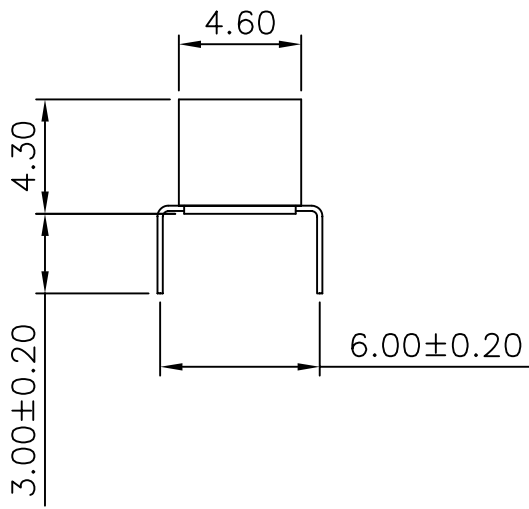
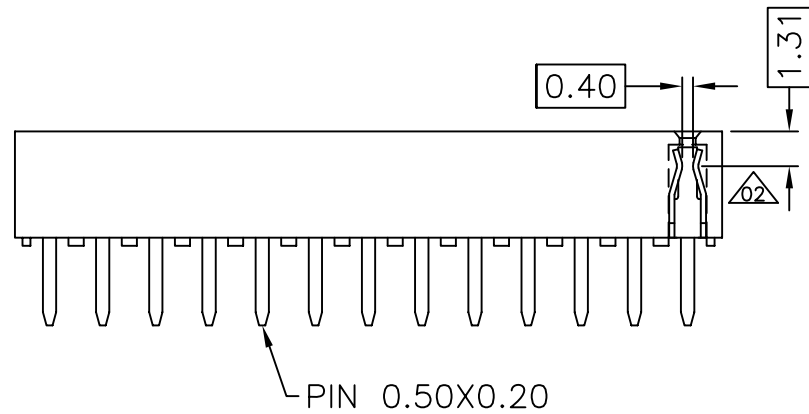


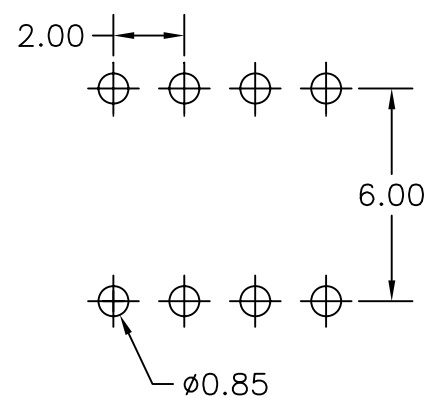
S-B60-2Xxx-LF  
LEADFREE  
RoHS Compliant

Specifications  
 Current Rating: 2Amp  
 Insulation Resistance: 1000MΩ Min.  
 Dielectric Withstanding: 500V AC/DC  
 Contact Resistance: 20mΩ Max.  
 Operating Temperature: -40°C to +105°C

Materials  
 Contact Material: Phosphor Bronze  
 Insulation Material: Polyester, UL 94V-0  
 NYLON-6T  
 All materials must be GP materials



Recommended P.C.Board  
Hole Layout



PART NO. S-B60-2Xxx

DWG NO. S-B60-2Xxx

CHECKED BY CY

TOLERANCES ARE

DESCRIPTION: 2.00 FEMALE HEADER  
DUAL ROWS DIP TYPE BASE 4.30H

FILE NO.

DRAWING BY

.X ± 0.2  
.XX ± 0.1  
.XXX ± AWG

AREA	REVISIONS	HK	DATE
------	-----------	----	------

煜倫股份有限公司

UNIT / mm

SCALE 1:1

PROJECTION