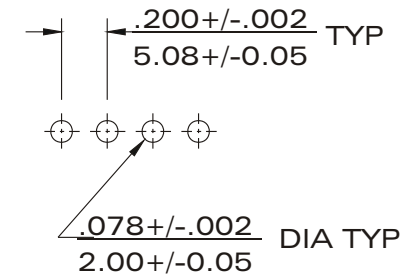
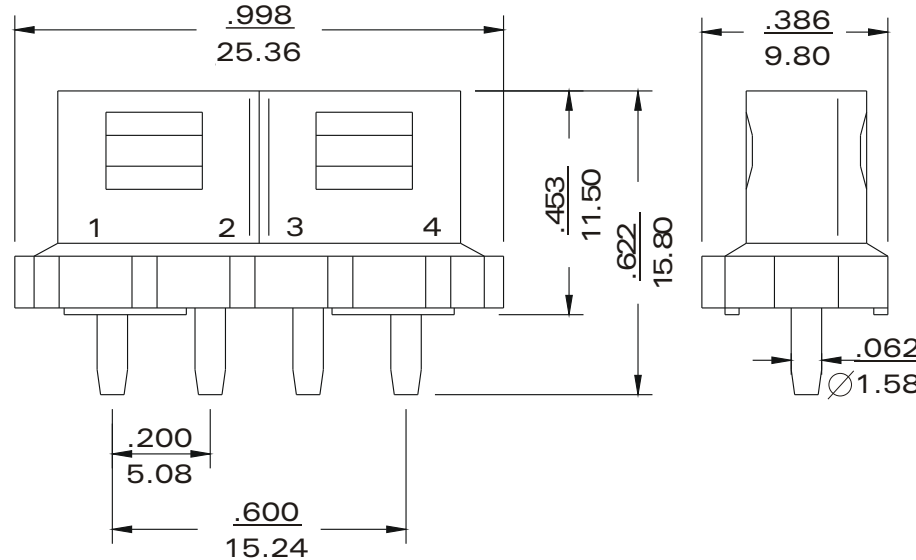
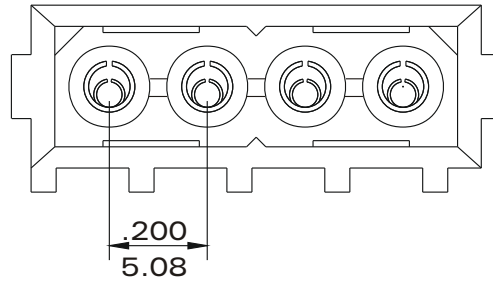
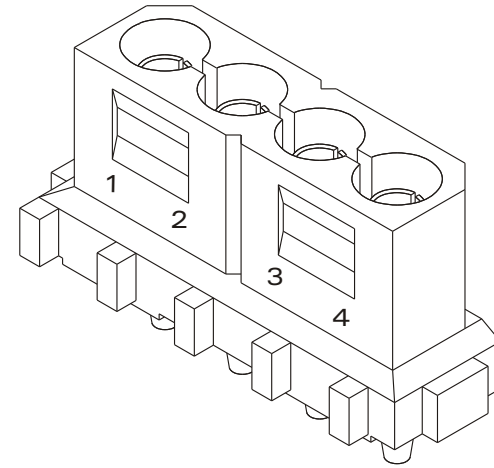


Vertical Mount Female Header

- * Material : Nylon UL 94V-2
- * Current rating : 4.5A, AC/DC
- * Voltage rating : 250V AC
- * Finish : Tin-plated or gold-flash
- * Split pins
- * 4 Circuits



RECOMMENDED PCB LAYOUT

DP-SD-04-LF
LEADFREE
RoHS Compliant

	PART NO. DP-SD-04		CHECKED BY CY	TOLERANCES ARE .X ± 0.2 .XX ± .XXX ± AWG	DESCRIPTION:	AREA	REVISIONS	HK	DATE
	DWG NO. DP-SD-04								
煜倫股份有限公司	FILE NO.		PROJECTION						
	UNIT / mm	SCALE 1:1							