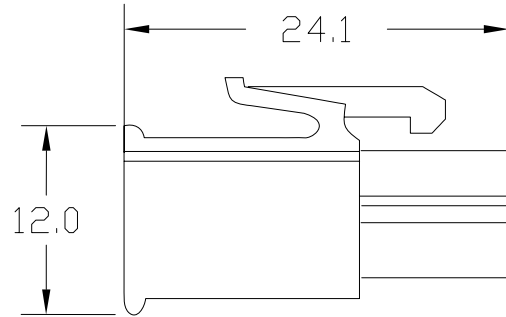
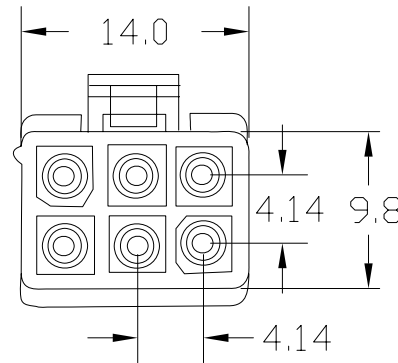


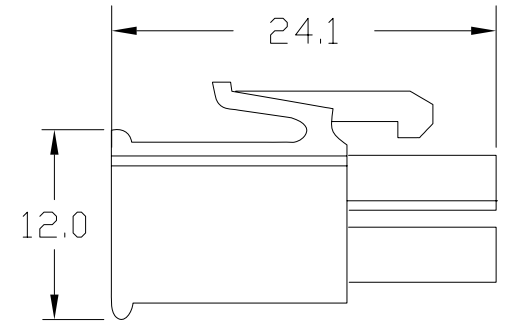
Pcs/1bag  
1000



ML-S-2X2



Pcs/1bag  
1000



ML-S-2X03

SPECIFICATIONS

Voltage rating:300V AC,DC

Current rating:5A AC,DC

Withstanding voltage:1500V AC/minute

Insulation resistance:1000MΩHM min

Temperature range:-25°C~+90°C

Material:UL94V-2 Nylon 66

ML-S-2Xxx-LF

LEADFREE

RoHS Compliant

**MORETHANALL**  
CONNECTORS  
ASSEMBLIES

PART NO. ML-S-2Xxx

DWG NO. ML-S-2Xxx

FILE NO.

CHECKED BY CY

DRAWING BY

TOLERANCES ARE

.X ± 0.2

.XX ±

.XXX ±

AWG

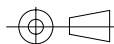
DESCRIPTION:

煜倫股份有限公司

UNIT / mm

SCALE 1:1

PROJECTION



AREA

REVISIONS

HK

DATE