

Electrical:

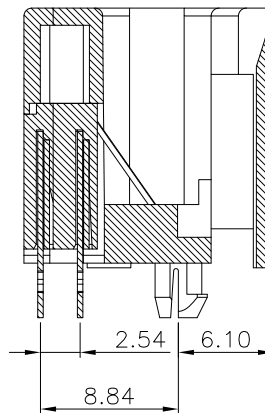
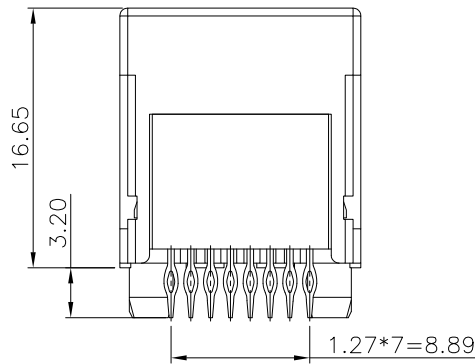
- 1.Voltage Rating:125 Vac Rms.
- 2.Current Rating:1.5 Amp.
- 3.Contact Resistance:40 Milliohms Max.
- 4.Insulation Resistance:1000 Megohms Min @500 Vdc.
- 5.Dielectric Strength:1000 Vac Rms 60Hz, 1Min.

Mechanical:

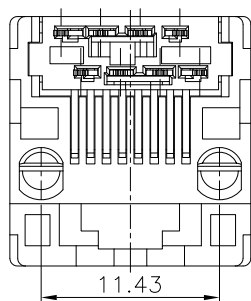
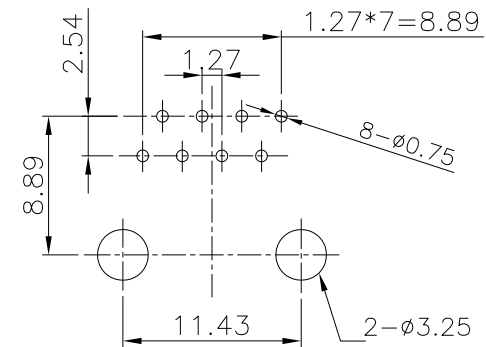
- 1.Operating:750 Cycles Min.

Environmental:

- 1.Storage:-40°C To +85°C.
 - 2.Operation:-20°C To +75°C.
- Mates With Modular Plug Conforming To FCC Part 68, Subpart F.



PCB LAYOUT/TOP VIEW



Materials:

*Plastic Housing: Engineering Thermoplastic
Flammability Rating UL 94V-0.*

Contacts: Thickness Phosphor Bronze

Plating: Gold Plating Over Nickel In Contact.

RoHS Compliant

TOLERANCES ARE

MORETHANALL
PCB CONNECTORS
Cable ASSEMBLIES

DRAWING BY CY

X.±

CHECKED BY GENIUS

.X±

UNIT / mm

SCALE 1 : 1

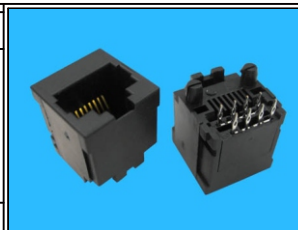
.XXX±

DATE

ANG±

SIZE A4

PJECTION



ORDER INFORMATION

MJP16C5E-KX06-0808-LF

SERIES

8P8C

LEADFREE

06u" GOLD

NON EAR

BLACK

煜倫股份有限公司

www.morethanall.com

DESCRIPTION: