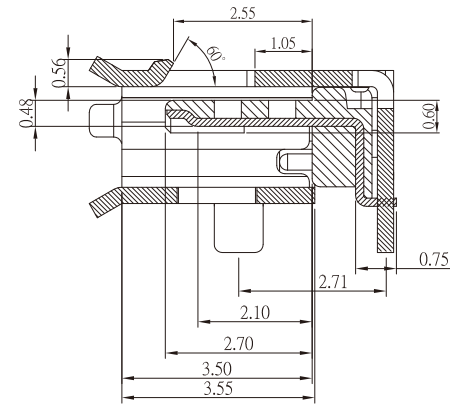
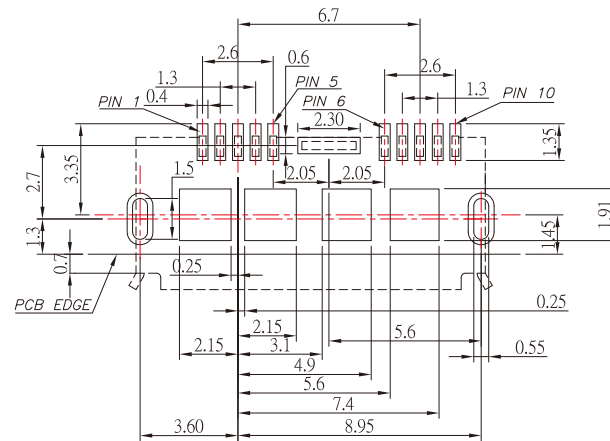
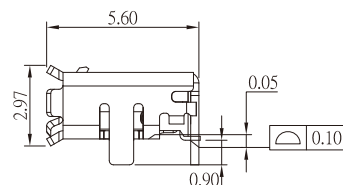
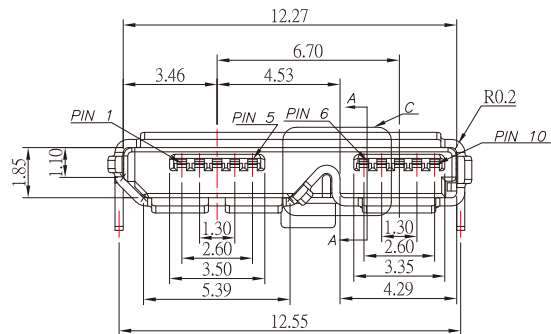


Detail C(2:1)



SECTION "A-A"(2:1)



P.C.B LAYOUT MOUNTING PATTERN

Pin Number	Signal Name
1	VBUS Power
2	D-
3	D+
4	ID
5	GND
6	MicB_SSTX-
7	MicB_SSTX+
8	GND_DRAIN
9	MicB_SSRX-
10	MicB_SSRX+

NOTE:

1.MATERIAL:

1.1 INSULATOR: LCP, UL 94V-0,Black

1.2 CONTACT: BRASS

1.3 SHELL: SUS304

2.Finish:

2.1 CONTACT: PLATED GOLD IN MATING AREA ;

TIN PLATED ON SOLDER BALLS ;

NICKEL UNDER PLATED OVERALL

2.2 SHELL: NICKEL UNDER PLATED SURFACE LAYER

**MORETHANALL**  
PCB CONNECTORS  
Cable ASSEMBLIES  
煜倫股份有限公司

www.morethanall.com

RoHS Compliant

DRAWING BY CY

CHECKED BY GENIUS

UNIT / mm SCALE 1 : 1

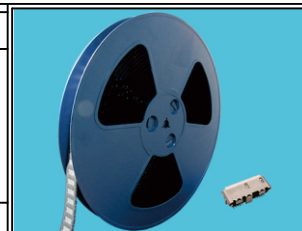
DATE

SIZE A4

TOLERANCES ARE

Up to 5 ±0.2  
Above 5 ~ 15 ±0.3  
Above 15 ~ 30 ±0.4  
Above 30 ~ 50 ±0.5  
Angle ±0.3°

PJECTION

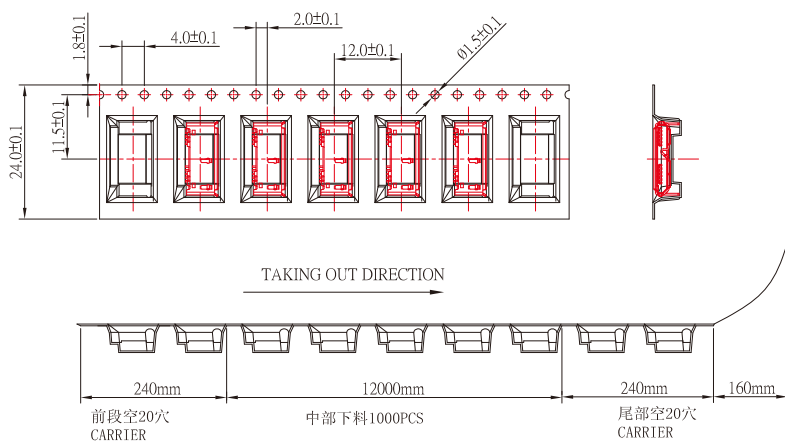
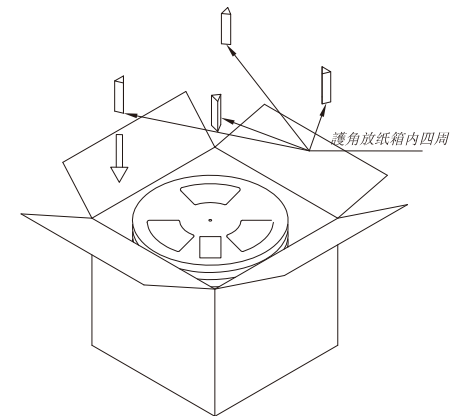
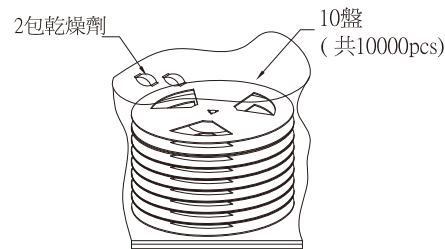
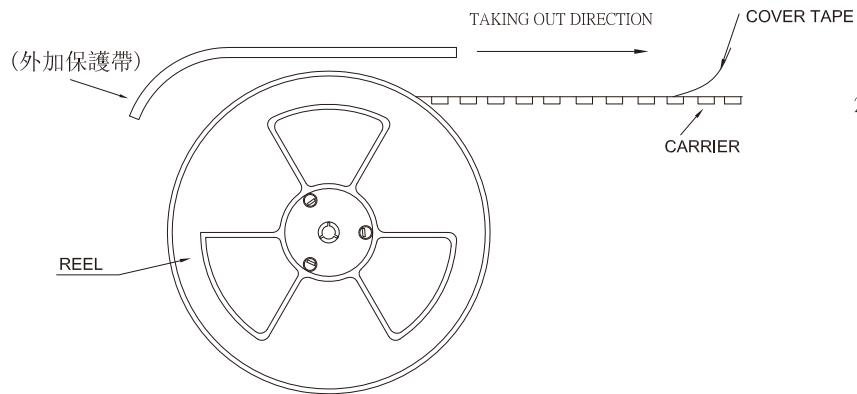


ORDER INFORMATION

MISB-SWMMR-10B-LF

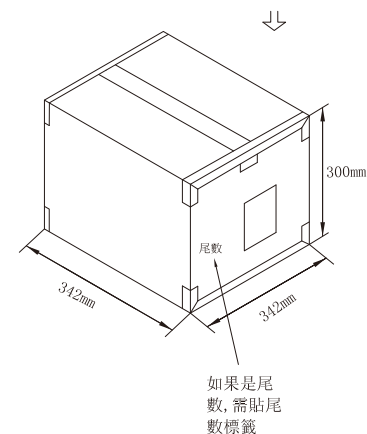
SERIES | REEL | LEADFREE  
10 PIN B TYPE  
METAL FOOT / 2  
90°SMT  
FEMALE

DESCRIPTION: MICRO 3.0 B/F DIPX3, 腳長:0.9mm



Notes:

1. 每卷前後各空20PCS, 尾部用美紋膠紙封住,
2. 然後再卷一圈保護帶, 保護帶最後重疊約50MM, 用皺紋膠紙將其封住
3. 每10卷盤裝入一個防水袋, 然後放入一個外箱, 紙箱內四週放護角
4. 在搬運過程中要輕拿輕放.
5. 在運輸中不可堆放過多, 不可有重壓現象.
6. 跌落測試條件:  
 成品箱子從1.5米高自由落體:(三棱六面一角)  
 檢驗項目: 1. 產品不可跑出下帶凹槽.  
 2. 產品不可有摔傷, 變形.  
 3. 外箱及內包裝材料不可嚴重破損.



產品		10K
PE袋		1PCS
三角柱		4PCS
乾燥劑		2PCS
COVER TAPE	PET 21.0mm	若干
REEL	PS 24.0mm	10R
紙箱	雙坑A=B 342*342*300	1
品名	規格 (mm)	用量 (PCS)

RoHS Compliant

TOLERANCES ARE

**MORETHANALL**  
 PCB CONNECTORS  
 Cable ASSEMBLIES

煜倫股份有限公司

www.morethanall.com

DRAWING BY CY

CHECKED BY GENIUS

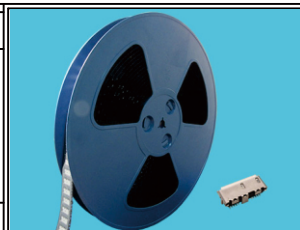
UNIT / mm SCALE 1 : 1

DATE

SIZE A4

X, ±  
 .X ±  
 .XX ±  
 .XXX ±  
 ANG ±

PJECTION



ORDER INFORMATION

MISB-SWMMR-10B-LF

SERIES | | | | LEADFREE  
 10 PIN B TYPE  
 REEL  
 METAL FOOT / 2  
 90°SMT  
 FEMALE

DESCRIPTION: