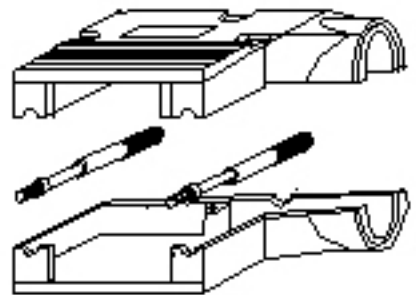
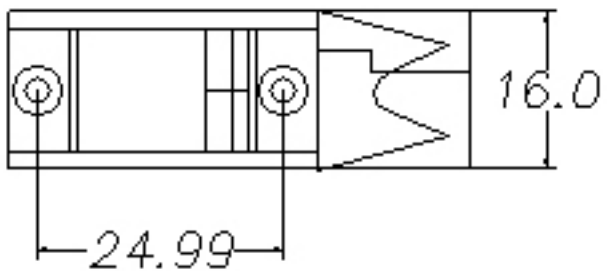
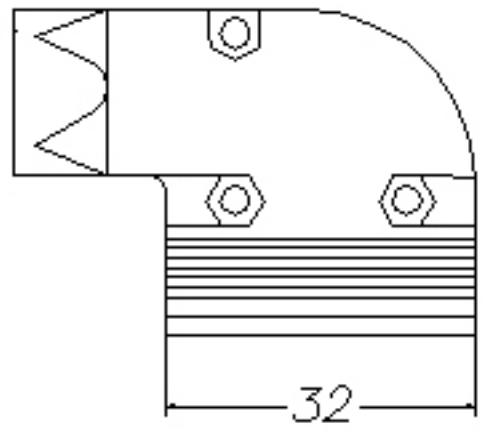


unit: MM ± 0.5



For D-sub

A: for cable dia. 6, 7.5, 9, 11

DHAR-N1T-09-LF
LEADFREE

RoHS Compliant



PART NO. DHAR-N1T-09

DWG NO. DHAR-N1T-09

CHECKED BY CY

TOLERANCES ARE

DESCRIPTION:

FILE NO.

DRAWING BY

.X ± 0.2
.XX ± 0.1
.XXX ±
AWG

AREA	REVISIONS	HK	DATE
------	-----------	----	------

煜倫股份有限公司

UNIT / mm

SCALE 1:1

PROJECTION