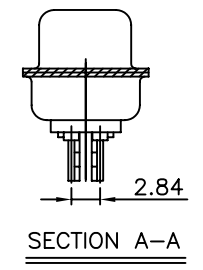
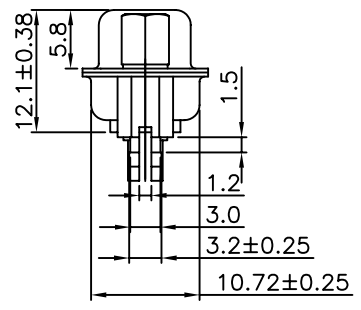


NOTE:  
MATERIAL:  
HOUSING: THERMOPLASTIC(UL 94V-0),BLACK COLOR  
CONTACT: BRASS.  
PLATING: GOLD FLASH PLATED ON CONTACT AREA,  
100u" MIN. TIN PLATED ON SOLDERTAILS,  
50u" MIN. NICKEL PLATED UNDER OVERALL.  
PLATING: GOLD FLASH PLATED OVERALL.  
SHELL: STEEL, 60u" MIN. TIN PLATED OVERALL.



| No. of Contacts | A±0.25 | B±0.13 | C±0.38 | D±0.25 |
|-----------------|--------|--------|--------|--------|
| 09M             | 16.92  | 24.99  | 30.80  | 19.20  |
| 15M             | 25.25  | 33.32  | 39.20  | 27.60  |
| 25M             | 38.96  | 47.04  | 53.10  | 41.10  |
| 37M             | 55.42  | 63.51  | 69.40  | 57.32  |

DD-PGZJ-xx-LF  
LEADFREE

RoHS Compliant

**MORETHANALL**  
CONNECTORS  
ASSEMBLIES

煜倫股份有限公司

PART NO. DD-PGZJ-xx

DWG NO. DD-PGZJ-xx

FILE NO.

UNIT / mm

SCALE 1:1

CHECKED BY CY

DRAWING BY

PROJECTION

TOLERANCES ARE

.X ± 0.2  
.XX ± 0.1  
.XXX ±  
AWG

DESCRIPTION: D-SUB P.C.B. STRAIGHT TYPE STAMPED PINS LEAD FREE

| AREA | REVISIONS | HK | DATE |
|------|-----------|----|------|
|      |           |    |      |