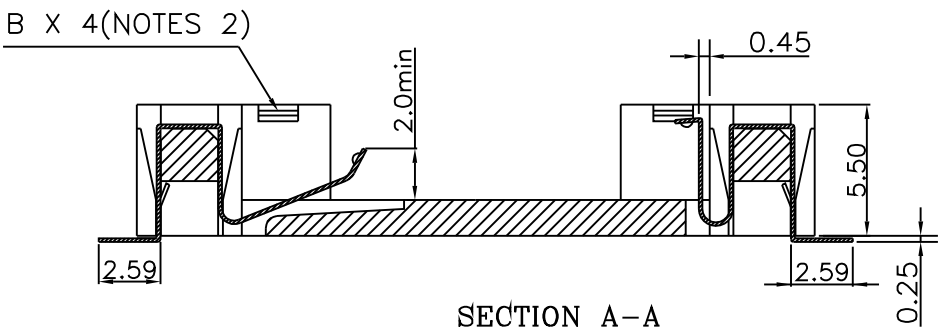
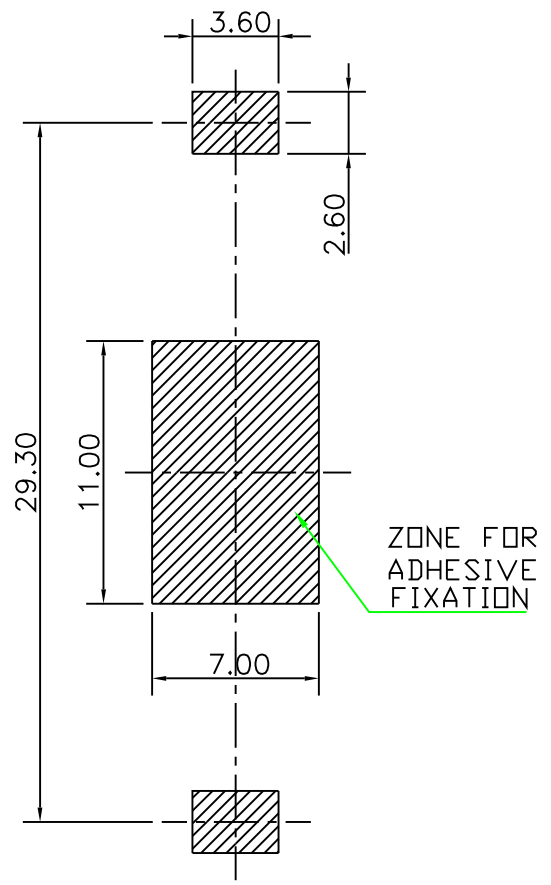
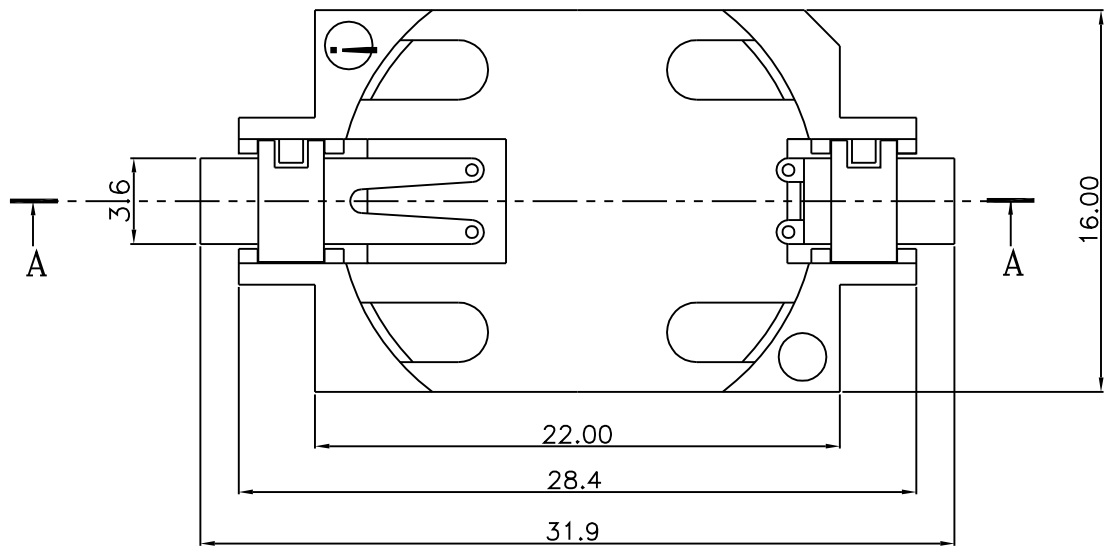


1 2 3 4 5 6 7 8 9 0

J  
I  
H  
G  
F  
E  
D  
C  
B  
A



**BTH-V-20-LF**  
LEADFREE  
**RoHS Compliant**

NOTES  
1.MATERIALS: HOUSING-LCP 30%GF UL94V-0.  
CONTACT-PHOSPHOR BRONZE C5191R-H.



PART NO. <b>BTH-V-20</b>		CHECKED BY CY	TOLERANCES ARE .X ± 0.2 .XX ± .XXX ± AWG	DESCRIP TION: <b>BATTERY HOLDER SMT ASS'Y 2032</b>	AREA	REVISIONS	HK	DATE	
DWG NO. <b>BTH-V-20</b>									
FILE NO.		PROJECTION							
UNIT / mm	SCALE 1:1								

煜倫股份有限公司