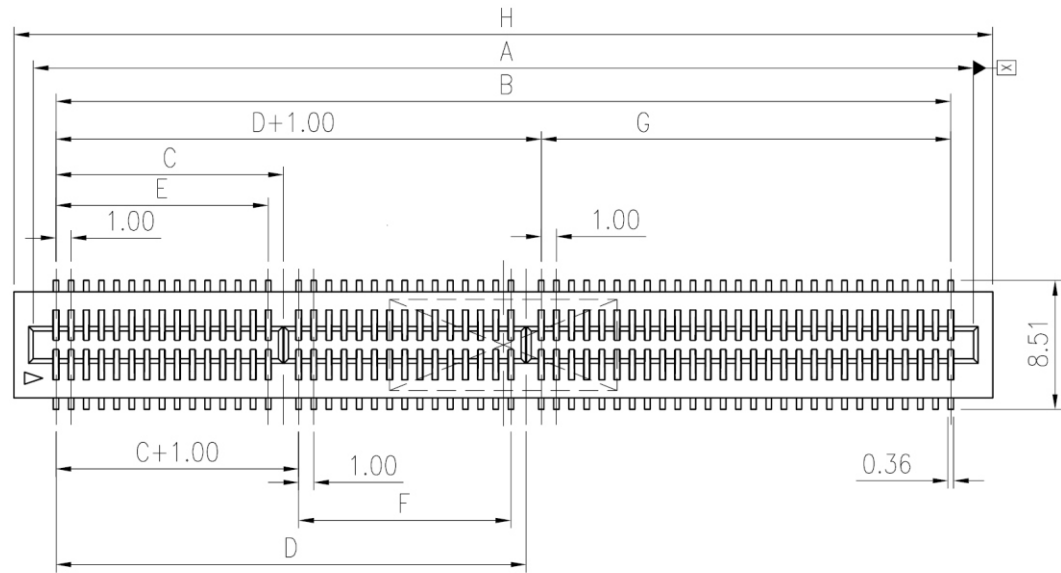


1 2 3 4 5 6 7 8 9 0

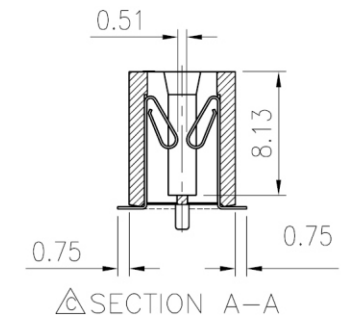
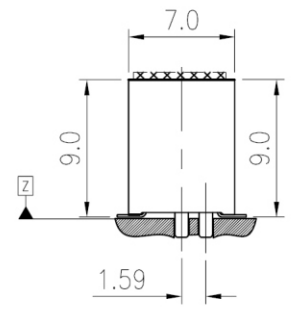
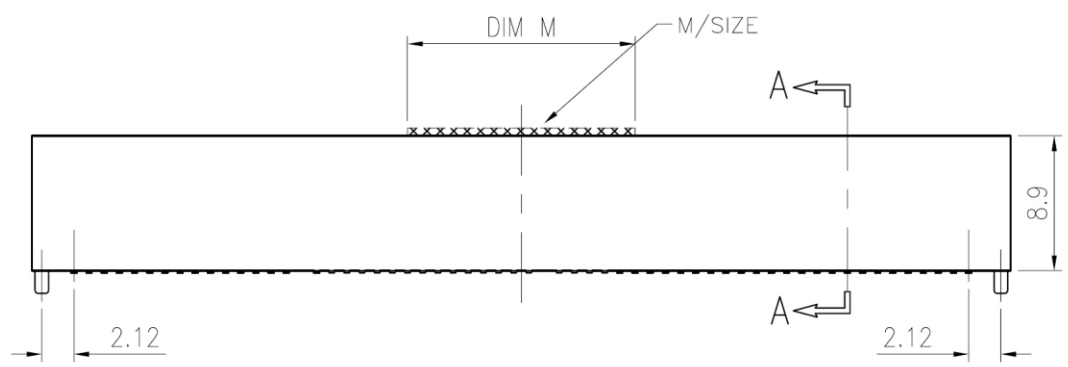
J  
I  
H  
G  
F  
E  
D  
C  
B  
A



- NOTES:  
 1. MATERIALS:  
 HOUSING IS HIGH TEMPERATURE PLASTIC  
 TERMINAL IS PHOSPHOR BRONZE  
 2. UNDER PLATING: NICKEL 1.27 um MIN. OVER ALL  
 3. FINISH: SEE ORDER INFORMATION  
 4. COPLANARITY IS 0.1mm MAX. BASE ON DATUM Z  
 5. TRUE POSITION IS 0.1mm MAX. BASE ON DATUM X

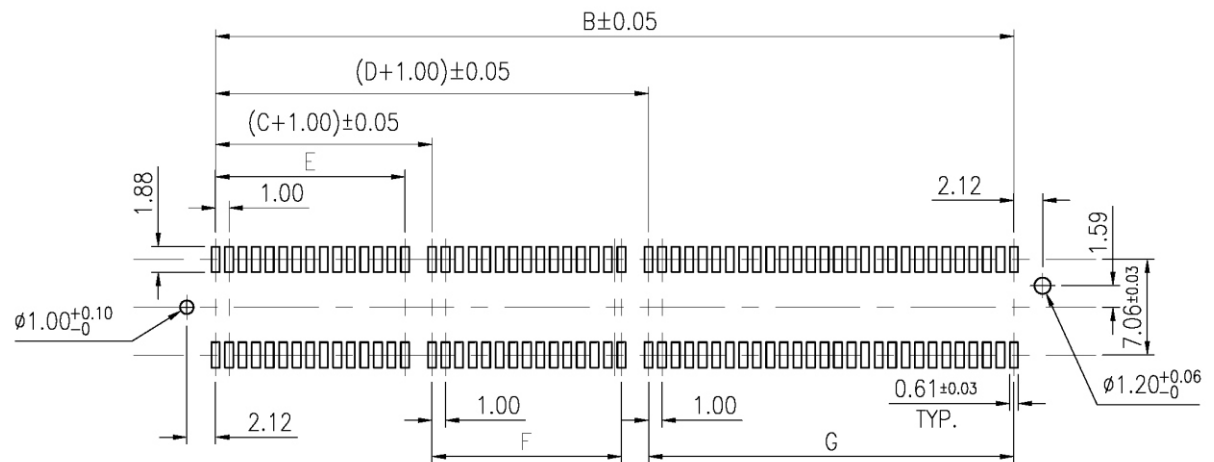
PN	POS.	DIM A	DIM B	DIM C	DIM D	DIM E	DIM F	DIM G	DIM H	M/size	DIM M	POSITION POLARIZED
E10-VPC-010	10	7.00	4.00	1.00	N/A	N/A	N/A	N/A	9.54	W3T12	3.00	3,4
E10-VPC-016	16	10.00	7.00	2.00	N/A	1.00	N/A	N/A	12.54	W3T12	3.00	5,6
E10-VPC-040	40	22.00	19.00	7.00	N/A	6.00	N/A	N/A	24.54	W6T12	6.00	15,16
E10-VPC-060	60	32.00	29.00	10.00	N/A	9.00	N/A	N/A	34.54	WAT12	10	21,22
E10-VPC-080	80	42.00	39.00	15.00	N/A	14.00	N/A	N/A	44.54	WAT12	10	31,32
E10-VPC-100	100	52.00	49.00	20.00	N/A	19.00	N/A	N/A	54.54	WAT12	10	41,42
E10-VPC-120	120	62.00	59.00	15.00	31.00	14.00	14.00	27.00	64.54	WFT12	15	31,32,63,64
E10-VPC-140	140	72.00	69.00	26.00	57.00	25.00	29.00	11.00	74.54	W6T12	40	53,54,115,116

**E10-VPC-xxx-LF**  
**LEADFREE**  
**RoHS Compliant**

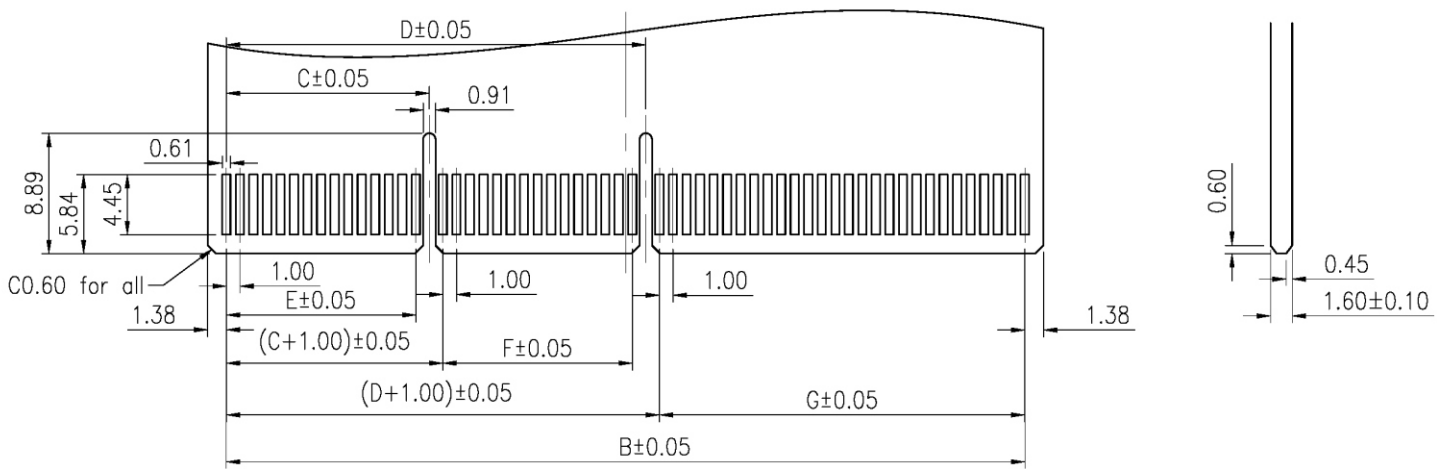


PART NO. <b>E10-VPC-xxx</b>		CHECKED BY CY		TOLERANCES ARE .X ± 0.2 .XX ± .XXX ± AWG	DESCRIP TION:			
DWG NO. <b>E10-VPC-xxx</b>		DRAWING BY						
FILE NO.		PROJECTION		AREA	REVISIONS	HK	DATE	
UNIT / mm	SCALE 1:1							

煜倫股份有限公司



RECOMMENDED PCB LAYOUT  
GENERAL TOLERANCE ±0.05



RECOMMENDED CARD PCB LAYOUT  
GENERAL TOLERANCE ±0.05



PART NO. **E10-VPC-xxx**

DWG NO. **E10-VPC-xxx**

CHECKED BY CY

TOLERANCES ARE

DESCRIPTION:

FILE NO.

DRAWING BY

.X ± 0.2  
.XX ±  
.XXX ±  
AWG

AREA	REVISIONS	HK	DATE
------	-----------	----	------

煜倫股份有限公司

UNIT / mm

SCALE 1:1

PROJECTION