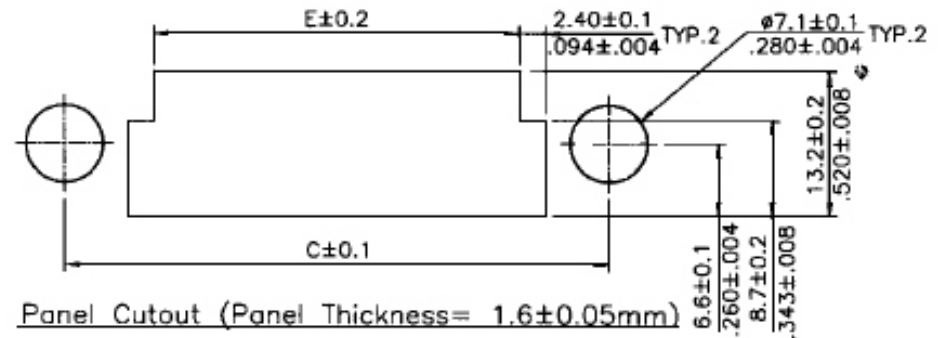
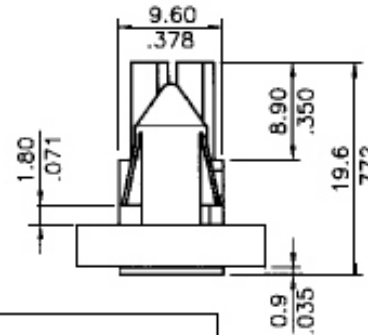
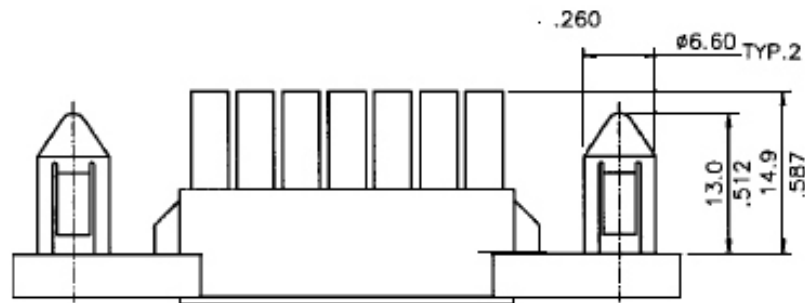


Installation:

* Insulation: Nylon 66, Color Nature



Panel Cutout (Panel Thickness = 1.6±0.05mm)



Circuits	Dimension				
	A	B	C	D	E
4	4.20(.165)	40.4(1.591)	29.2(1.150)	9.7(.382)	12.8(.504)
6	8.40(.331)	44.6(1.756)	33.40(1.315)	13.9(.547)	17.0(.669)
10	16.80(.661)	53.0(2.087)	41.80(1.646)	22.3(.878)	25.4(1.000)
14	25.20(.992)	61.4(2.417)	50.20(1.976)	30.7(1.209)	33.8(1.331)
18	33.60(1.323)	69.8(2.748)	58.60(2.307)	39.1(1.539)	42.2(1.661)
24	46.20(1.819)	82.4(3.244)	71.20(2.803)	51.7(2.035)	54.8(2.157)

RoHS Compliant

TOLERANCES ARE

MORETHANALL
PCB CONNECTORS
Cable ASSEMBLIES

DRAWING BY CY

X, ±

CHECKED BY GENIUS

X, ±

UNIT / mm

SCALE 1:1

.XX ±

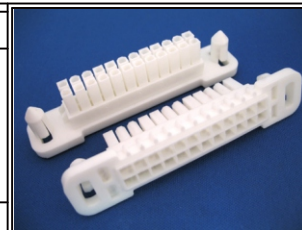
DATE

.XXX ±

ANG ±

SIZE A4

PJECTION



ORDER INFORMATION

MFB-SH-2Xxx-LF
SERIES | LEADFREE
2X02:04WAY
2X12:24WAY
HOUSING
MALE

煜倫股份有限公司

www.morethanall.com

DESCRIPTION: