

Features:

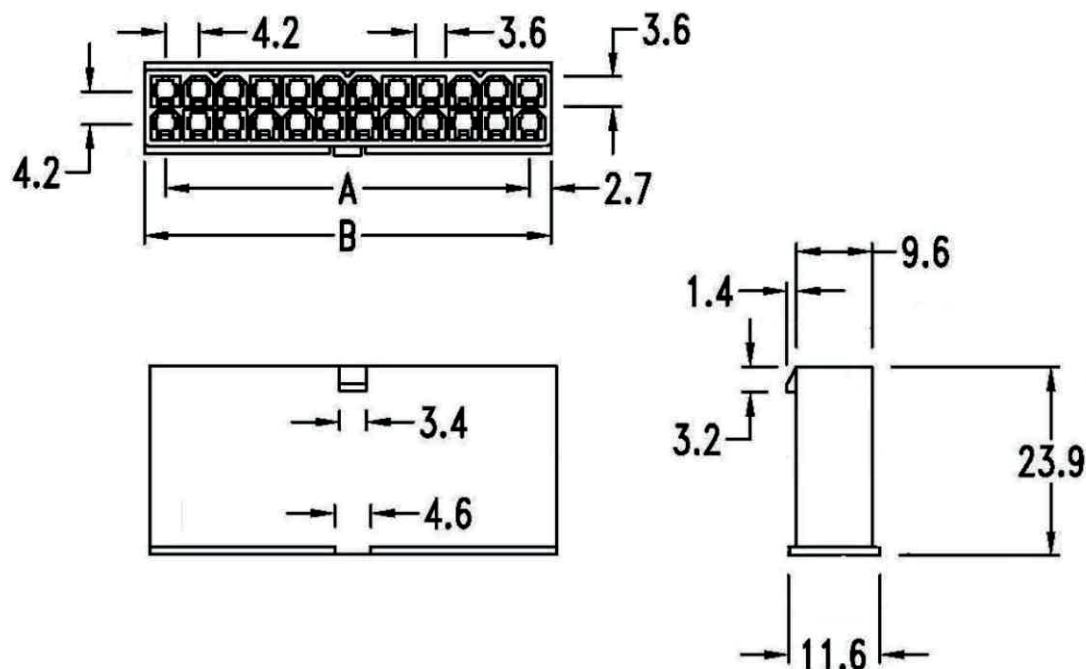
- 2 ~ 24 circuits available
- 600V volts rating (R.M.S.)
- Current rating up to 9 amperes per circuits
- Positive housing locks
- Max. panel thickness: 2.54mm

Specification:

- Current rating and wire size:

Wire Size AWG	Circuits			
	2	4, 6	8, 10	12~24
# 18	9 A	8 A	7 A	6 A
# 20	7 A	6 A	5 A	5 A
# 22	5 A	4 A	4 A	4 A
# 24	4 A	3 A	3 A	3 A

- Voltage rating: 600V AC, DC
- Insulation resistance: DC 500V 1000M Ω min.
- Dielectric withstanding voltage: 1500V AC/minute
- Ambient temperature range: -40°C ~ 105°C
(including temperature rise)



Circuits	Dim. A	Dim. B	Circuits	Dim. A	Dim. B
2		5.4	14	25.2	30.6
4	4.2	9.6	16	29.4	34.8
6	8.4	13.8	18	33.6	39.0
8	12.6	18.0	20	37.8	43.2
10	16.8	22.2	22	42.0	47.4
12	21.0	26.4	24	46.2	51.6

RoHS Compliant

TOLERANCES ARE

MORETHANALL
PCB CONNECTORS
Cable ASSEMBLIES

煜倫股份有限公司

www.morethanall.com

DRAWING BY CY

CHECKED BY GENIUS

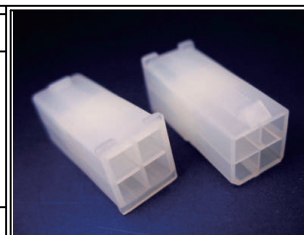
UNIT/ mm SCALE 1:1

DATE

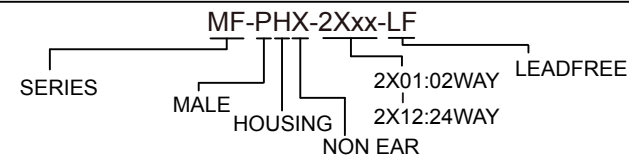
SIZE A4

PJECTION

X. \pm
.X \pm
.XX \pm
.XXX \pm
ANG \pm



ORDER INFORMATION



DESCRIPTION: