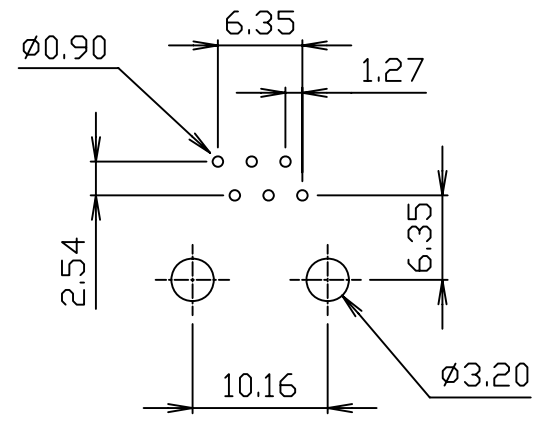
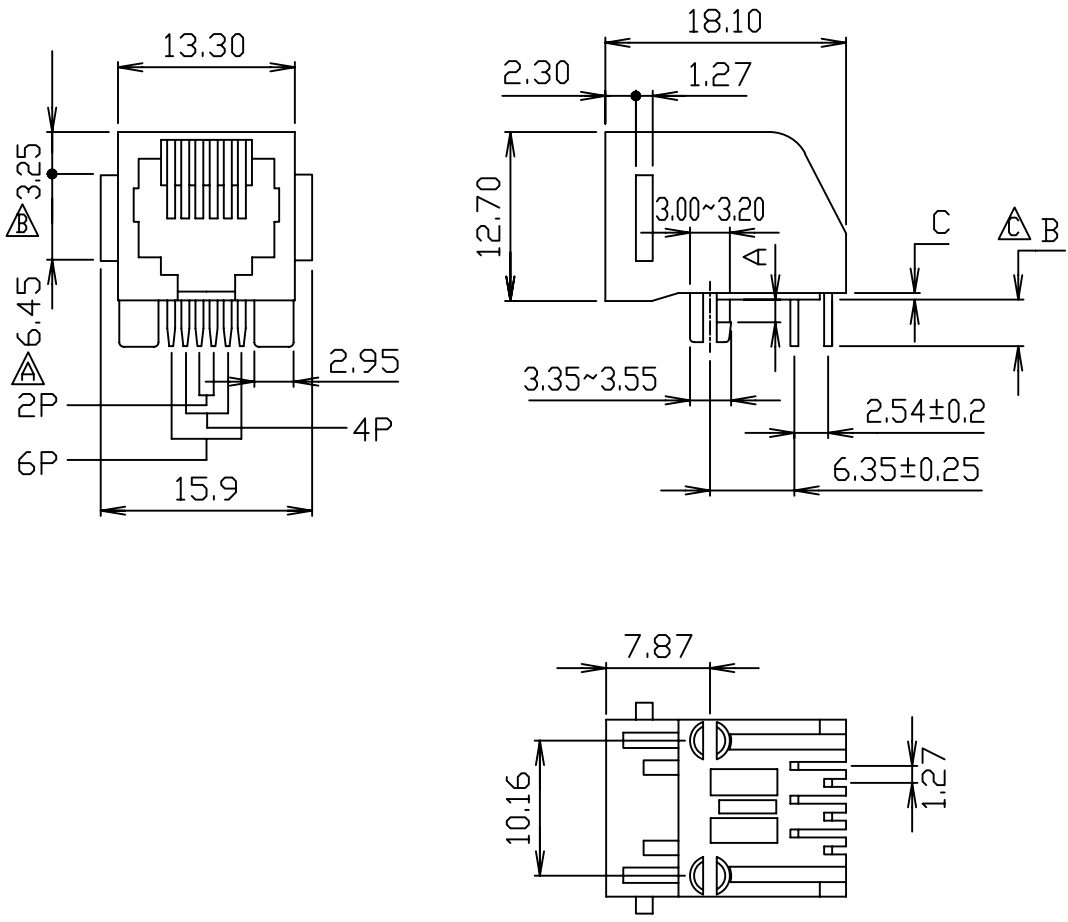


MATERIAL: HOUSING-PBT POLYESTER UL-94V-0
 MIXED GLASS FIBER,
 STANDARD COLOR-BLACK
 CONTACTS-0.35mm THICK PHOS-BRONZE
 PLATED WITH HARD GOLD AND
 TIN IN SOLDER AREA.
 CAVITY CONFORMS TO FCC RULES AND REGULATIONS
 PART 68,SUBPART F.



PC Board Layout

RoHS Compliant

TOLERANCES ARE



DRAWING BY CY

CHECKED BY GENIUS

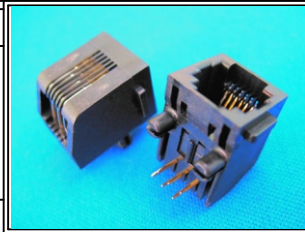
UNIT / mm SCALE 1 : 1

DATE

SIZE A4

X ±
 .X ± 0.25
 .XX ± 0.13
 .XXX ± 0.05
 ANG ±

P PROJECTION



ORDER INFORMATION

MJ12J-KE06-0606-LF

SERIES | LEADFREE
 | 6P6C
 | 06u" GOLD
 EAR
 BLACK

DESCRIPTION: 6 POSITION FLANGED LOW PROFILE SIDE ENTRY PCB JACK

煜倫股份有限公司

www.morethanall.com