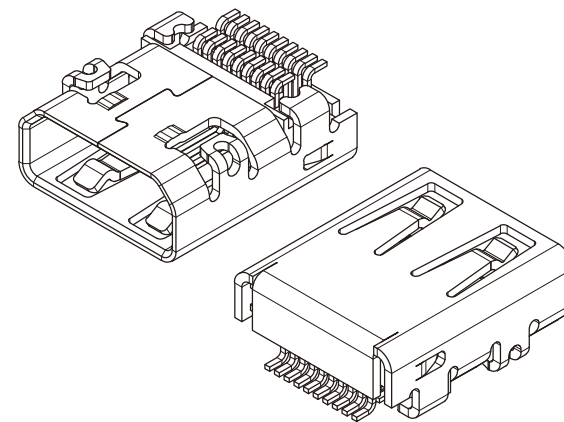


NOTES :
 1.Material :
 Housing : High temperature thermoplastic,UL94-V0.
 Color : Black
 HDMI Terminal : Copper Alloy,
 Cover : Copper Alloy.
 2.Finish :
 Terminal : Underplate : Ni 50 μ" MIN. over all,
 Sn&"100 MIN Solder tail μ"Sn100 MIN Lead free over Ni plate.
 Contact arer: Au over Ni plate
 Cover : Underplate :50 μ" MIN. Ni over all.
 over Ni.
 3.Coplanarity Must Be Within 0.12 Max.



MIHDMI-SWJJ-19-LF
 LEADFREE
 RoHS Compliant

	PART NO. MIHDMI-SWJJ-19		CHECKED BY CY	TOLERANCES ARE .X ± .XX ± .XXX ± AWG	DESCRIP TION:			
	DWG NO. MIHDMI-SWJJ-19							
焜倫股份有限公司	FILE NO.		PROJECTION	AREA	REVISIONS	HK	DATE	
	UNIT / mm	SCALE 1:1						

