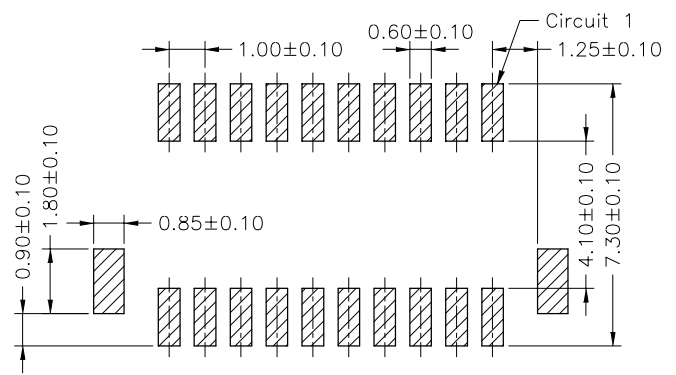
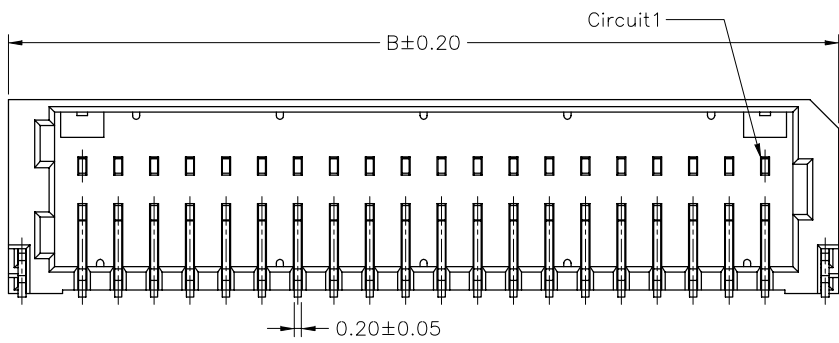
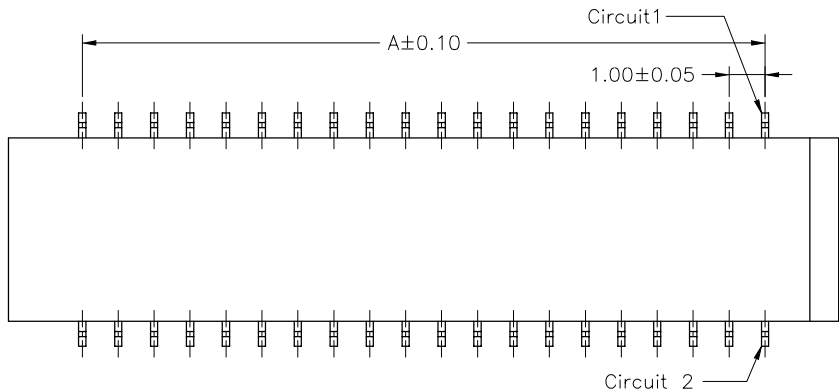
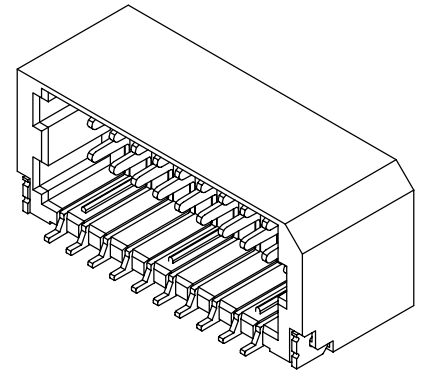


1 2 3 4 5 6 7 8 9 0

J
I
H
G
F
E
D
C
B
A



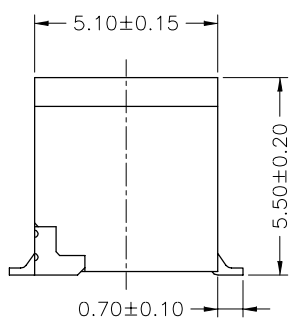
PCB LAYOUT



SPECIFICATIONS
 Current Rating: 1A AC,DC
 Voltage Rating: 50V AC,DC
 Temperature Range: -25°C ~ +85°C
 Contact Resistance: 20mΩ Max.
 Insulation Resistance: 500MΩ Min.
 Withstanding Voltage: 500V AC/minute
 Pin Material: Brass/Gold-plated Or Tin Plated
 Solder Tabs: Brass/Tin-plated
 Material: Nylon 6T,UL94V-0

Ordering Information & Dimensions

PART NO.	Dimensions	
	A	B
SHD-Wx-20	9.00	13.10
SHD-Wx-30	14.00	18.10
SHD-Wx-40	19.00	23.10
SHD-Wx-50	24.00	28.10



SHD-Wx-xx-LF
 LEADFREE
 BLANK:TIN/PLATED
 G:GOLD/PLATED

RoHS Compliant



PART NO. SHD-Wx-xx

DWG NO. SHD-Wx-xx

FILE NO.

UNIT / mm

SCALE 1:1

CHECKED BY CY

DRAWING BY

PROJECTION

TOLERANCES ARE

.X±0.2
 .XX±
 .XXX±
 AWG

DESCRIPTION:

1.0mm 90° SMT TYPE DUAL ROW

AREA

REVISIONS

HK

DATE

煜倫股份有限公司