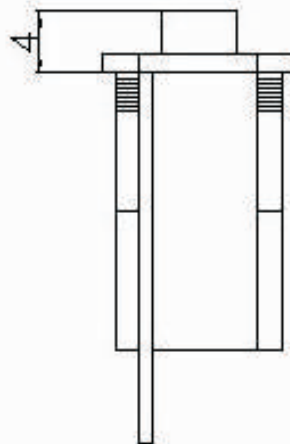
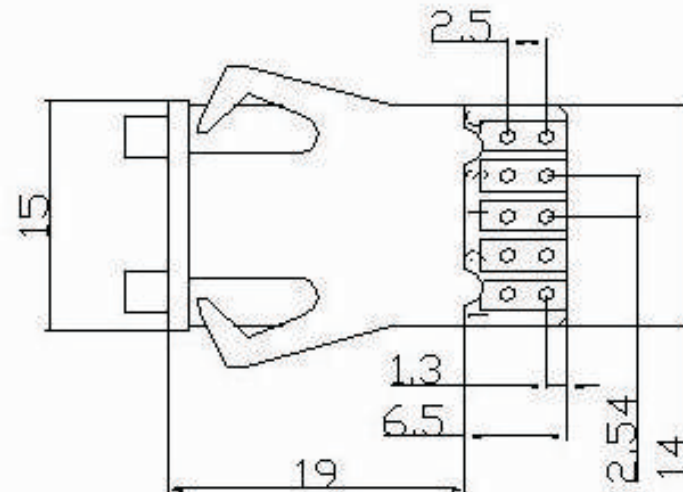
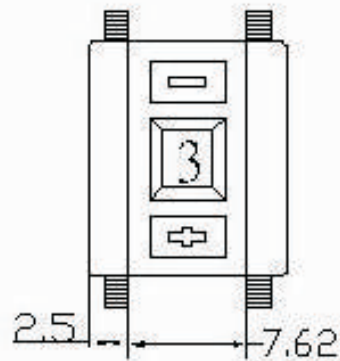


Wheel	C contacted terminal				
	1	2	4	8	C
0					●
1	●				●
2		●			●
3	●	●			●
4			●		●
5	●		●		●
6		●	●		●
7	●	●	●		●
8				●	●
9	●			●	●
Repeat					



Parts	Color
Housing	Black
Wheel	Black
Push Key	Black
Character	White

PWS-SPA-01-LF
LEADFREE
RoHS Compliant



PART NO. PWS-SPA-01

DWG NO. PWS-SPA-01

FILE NO.

CHECKED BY CY

DRAWING BY

TOLERANCES ARE

.X ± 0.2
.XX ±
.XXX ±
AWG

DESCRIPTION:

煜倫股份有限公司

UNIT / mm

SCALE 1:1

PROJECTION



AREA

REVISIONS

HK

DATE