

MATERIALS:

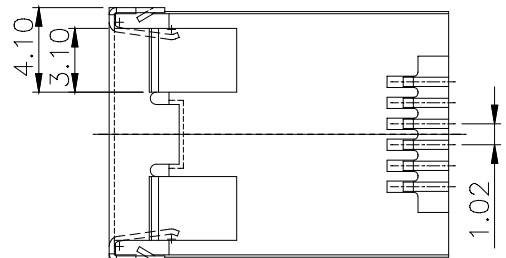
PLASTIC HOUSING: HIGH TEMP. THERMOPLASTIC
FLAMMABILITY RATING UL 94V-0.

CONTACTS: PHOSPHOR BRONZE

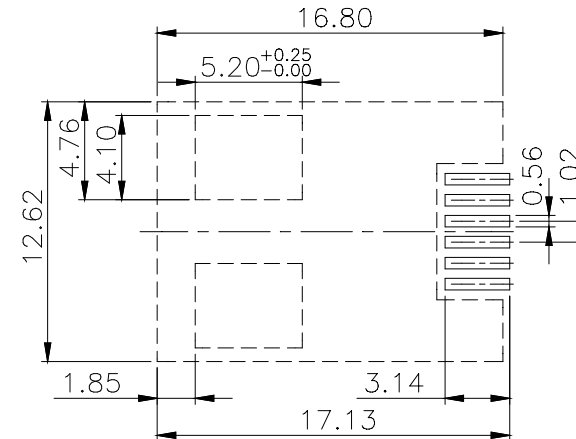
PLATING: GOLD PLATING OVER NICKEL IN CONTACT.

TIN PLATING OVER NICKEL IN SOLDER AREA.

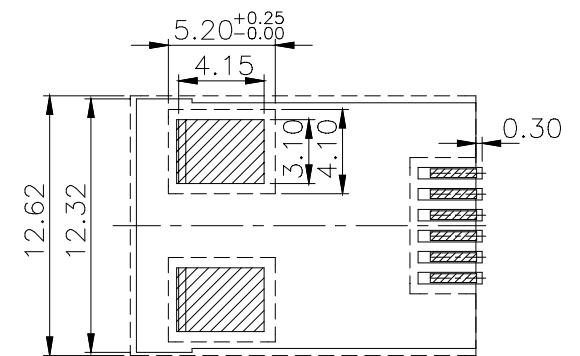
SOLDER PAD: BRASS PLATED TIN ALLOY



PCB LAYOUT/TOP VIEW



成品上PCB板情形



※凡標註 △記號者, 為品管檢驗之尺寸

RoHS Compliant

TOLERANCES ARE



煜倫股份有限公司

www.morethanall.com

DRAWING BY CY

CHECKED BY GENIUS

UNIT / mm

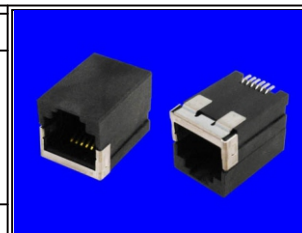
SCALE 1 : 1

DATE

SIZE A4

PJECTION

X, ±
.X ±
.XX ±
.XXX ±
ANG ±



ORDER INFORMATION

MJW12U-KX06N-0606-LF

SERIES

LEADFREE
6P6C
INNER EAR
06u"
NON POST
BLACK

DESCRIPTION: