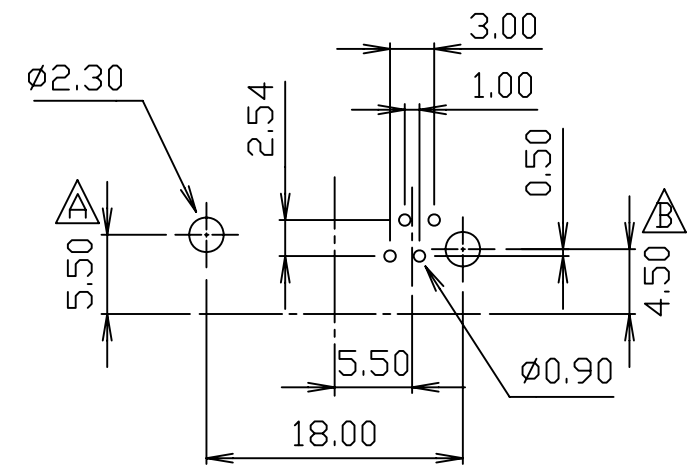
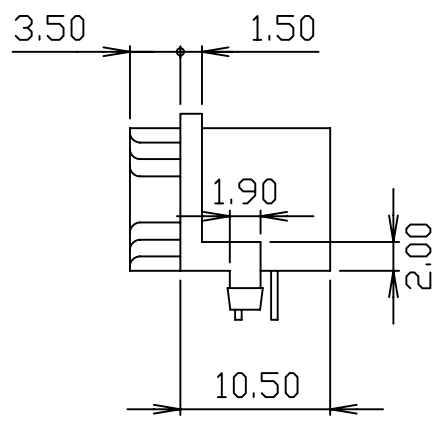
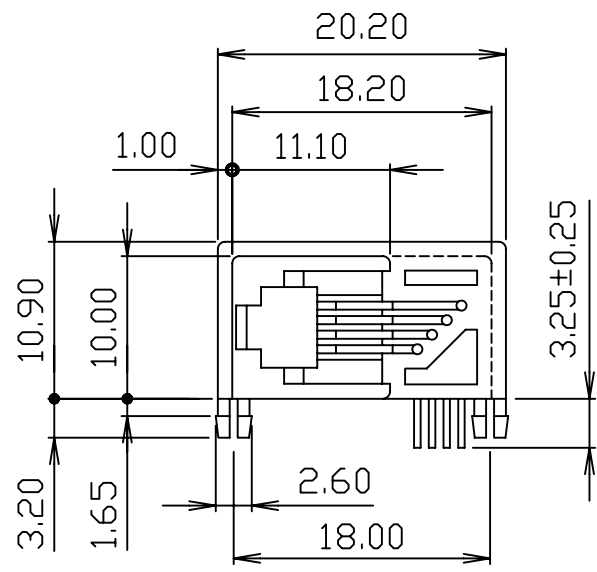


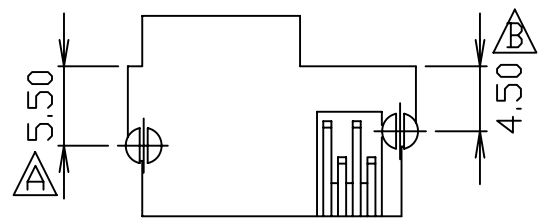
MATERIAL:
 ● HOUSING-NYLON 66 POLYESTER UL94V-0
 MIXED GLASS FIBER,
 STANDARD COLOR-BLACK
 ● CONTACTS-0.45mm DIAMETER PHOS-BRONZE
 PLATED WITH HARD GOLD.
 CAVITY CONFIRMS TO FCC RULES AND
 REGULATIONS PART 68,SUBPART F.



PC Board Layout

MJH11-GE06-0404-LF
 LEADFREE

RoHS Compliant



REVISIONS			
LTR	DESCRIPTION	DATE	APP
A	6.50	06/02/'01	
B	5.50	06/02/'01	

MORETHANALL
 CONNECTORS
 ASSEMBLIES

PART NO. MJH11-GE06-0404

DWG NO. MJH11-GE06-0404

FILE NO.

CHECKED BY CY

DRAWING BY

TOLERANCES ARE
 .X ± 0.25
 .XX ±
 .XXX ±
 AWG

DESCRIPTION:
 AREA

4POSITION TOP ENTRY PCB JACK			
REVISIONS	HK	DATE	

焯倫股份有限公司

UNIT / mm SCALE 1:1

PROJECTION