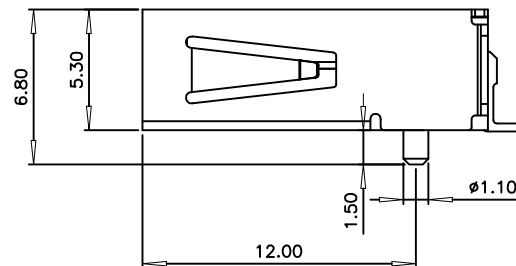
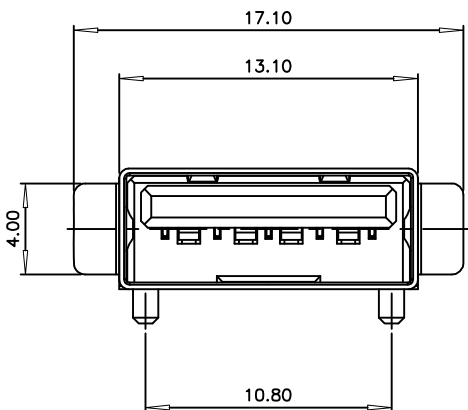
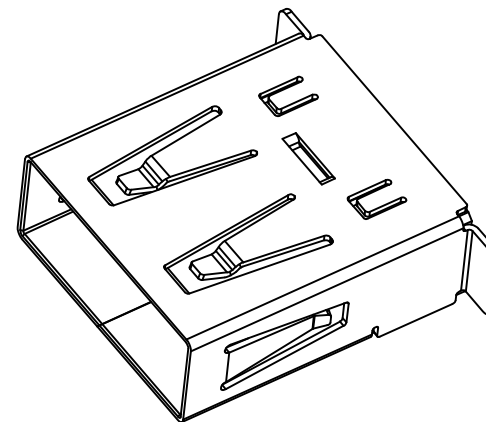


RECOMMENDED P.C. BOARD LAYOUT



4	SHELL	SUS	50u" Nickel Plated	
3	TERMINAL 2	Phosphor Bronze	Contact: Au 1u" Tails: 100u" Tin (Lead Free)	
2	TERMINAL 1	Phosphor Bronze	Contact: Au 1u" Tails: 100u" Tin (Lead Free)	
1	HOUSING	LCP+30%G.F., UL9V-0	COLOR: BLACK	
ITEM	DESC.	MATERIAL	REMARKS	PART REMARKS

RoHS Compliant

TOLERANCES ARE

MORETHANALL
PCB CONNECTORS
Cable ASSEMBLIES

DRAWING BY CY

CHECKED BY GENIUS

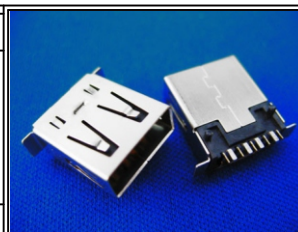
UNIT / mm SCALE 1 : 1

DATE

SIZE A4

X, ±
.X ±
.XX ±
.XXX ±
ANG ±

P PROJECTION



ORDER INFORMATION

USB-SWPEBK-9A-LF
SERIES | | | | LEADFREE
9 PIN A TYPE
BLACK
FEMALE | | EAR
POST
90°SMT

DESCRIPTION: USB 3.0 A/F SM Type

煜倫股份有限公司

www.morethanall.com